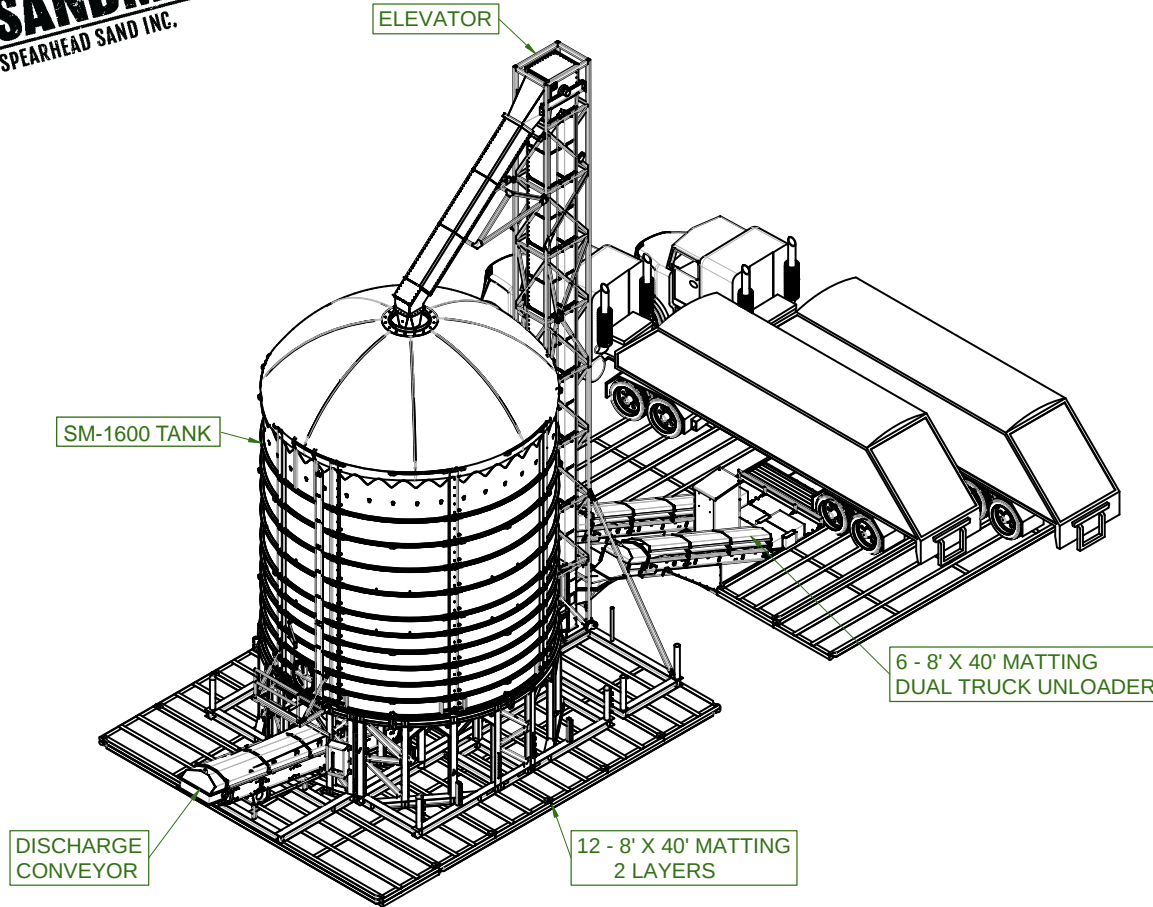


THE SANDMINION
BY SPEARHEAD SAND INC.



SPCS

CAPACITY	TONNE	TON (US)	
	1600	1760	
DIMENSIONS	METER	FT	
	OVERALL LENGTH	33	109
	OVERAL WIDTH	13.5	44
	TANK HEIGHT	16.5	55
	ELEVATOR HEIGHT	22	72
WEIGHTS	KG	LBS	
	TANK PANNELS	24'500	54'000
	CENTER HOPPER MOD	21'800	48'000
	SIDE HOPER MODS	13'600	30'000
	ELEVATOR	12'500	27'500
	TRUCK UNLOADER	13'600	30'000
	TANK ASSEMBLY FULL	1'686'000	3'717'000
SHIPPING	TRUCK LOADS		
HOPPER	3		
TANK PANELS	1		
ELEVATOR	1		
TRUCK UNLOADER	1		
CONVEYOR SPEEDS	TPH	TPH (US)	
TRUCK UNLOADER	165	182	
ELEVATOR	165	182	
DISCHARGE CONVEYOR	40-400	44-440	

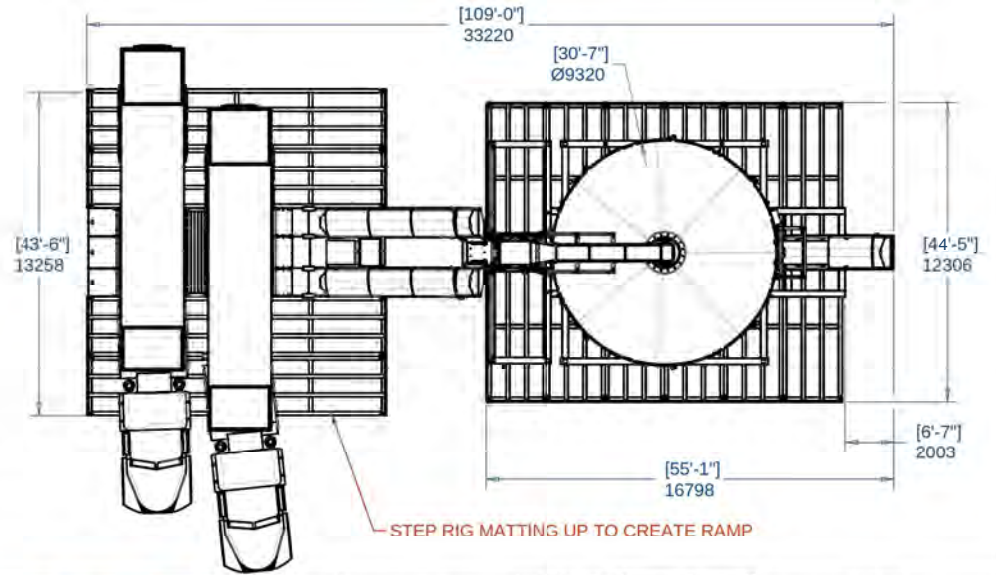
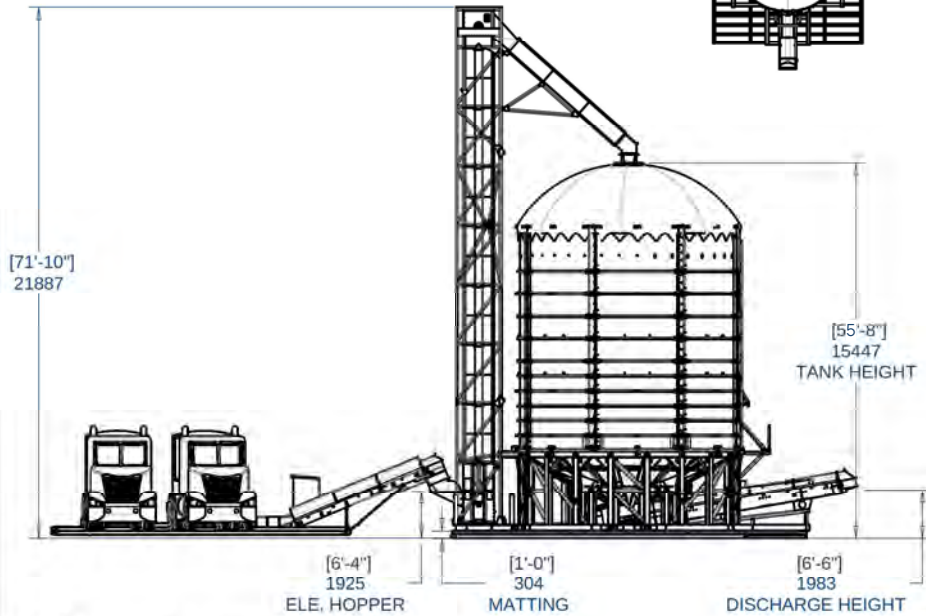
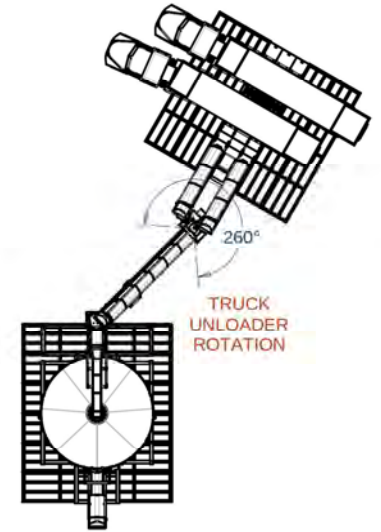
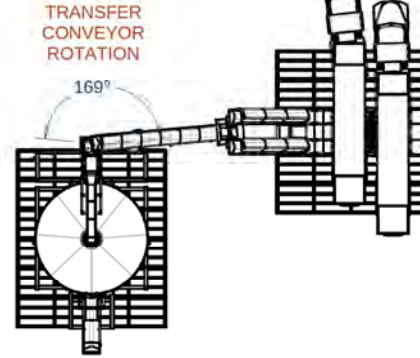
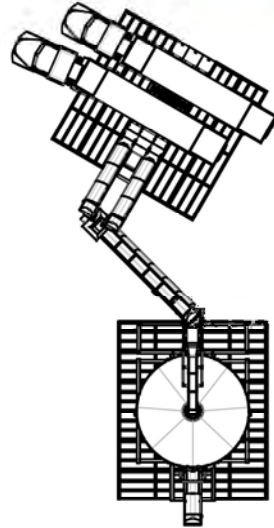
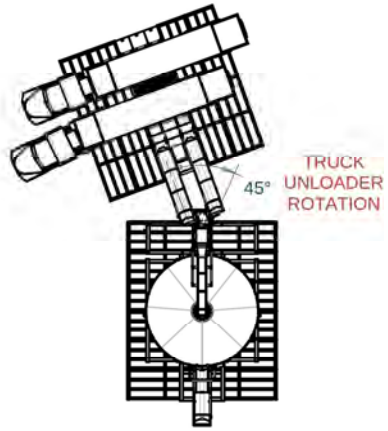


DRAWN BY	SHEA LAYDEN		SHEET 1 OF 1 SCALE:	PART NO. SM-1600-GA
DATE DRAWN	07/12/2023			
LAST CHANGED	07/12/2023			

<small> THE INFORMATION AND DETAILS CONTAINED IN THIS DRAWING ARE CONFIDENTIAL AND THE PROPERTY OF SPEARHEAD SAND INC. NO REPRODUCTION OR DISSEMINATION OF THIS DRAWING MAY BE MADE WITHOUT THE WRITTEN CONSENT OF SPEARHEAD MANUFACTURING. </small>	<small> DIMENSIONS ARE IN MM UNLESS CALLED OUT OTHERWISE. TOLERANCES ARE .001 AND .01 UNLESS CALLED OUT OTHERWISE. CRITICAL DIMENSIONS ARE CALLED OUT. DIMENSIONS ARE IN () WITH ALL SHIP EDGES. </small>	<small> SPEARHEAD MANUFACTURING </small>
--	--	--

SPCS

VERY FLEXIBLE AND CONFIGURABLE / SUPER SMALL FOOTPRINT



THE SANDMINION
BY SPEARHEAD SAND INC.



DRAWN BY	SHEA LAYDEN
DATE DRAWN	07/17/2022
LAST CHANGED	10/20/2022



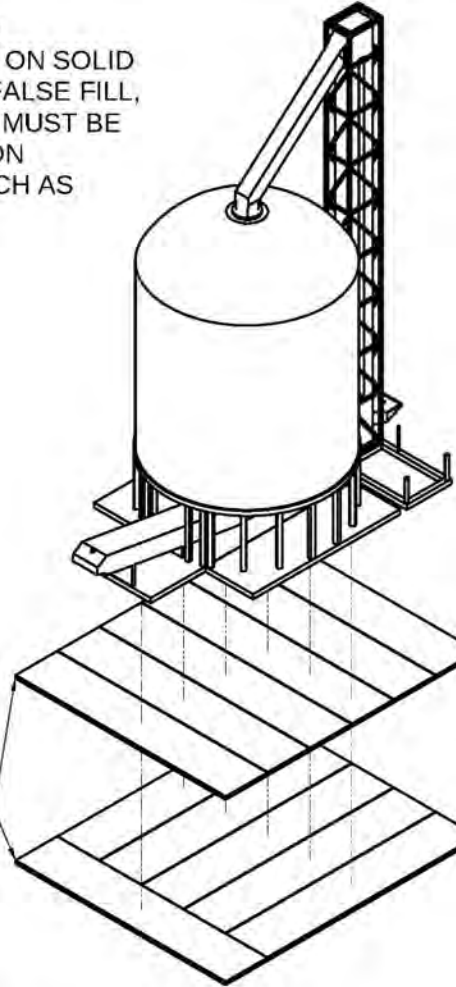
SHEET 3 OF 1	SCALE: 1:200
<small>THE SANDMINION AND SPEARHEAD SAND INC. ARE TRADEMARKS OF SPEARHEAD SAND INC. ALL RIGHTS RESERVED. THE SANDMINION IS A REGISTERED SERVICE MARK OF SPEARHEAD SAND INC. THE SANDMINION IS A REGISTERED SERVICE MARK OF SPEARHEAD SAND INC. THE SANDMINION IS A REGISTERED SERVICE MARK OF SPEARHEAD SAND INC.</small>	

PART NO.	SM-1600-GA
LAYOUT	

REV	DESCRIPTION
	INITIAL RELEASE

GROUND WORK PREPERATION
 SAND MINION MUST BE SET UP ON SOLID
 LEVEL GROUND, DO NOT USE FALSE FILL,
 ALL MATERIALS TO LEVEL PAD MUST BE
 COMPACTED TO 400KPA OR NON
 CAMPACTABLE MATERIALS SUCH AS
 WASHED ROCK

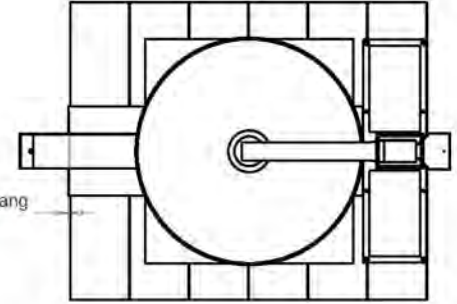
MATTING LAYOUT AND GROUND WORK PREP



MATTING STACKED IN THE
 SAME DIRECTION
 MUST BE INSTALLED UNDER
 DISCHARGE CONVEYOR
 END.

BOTTOM
 LAYER

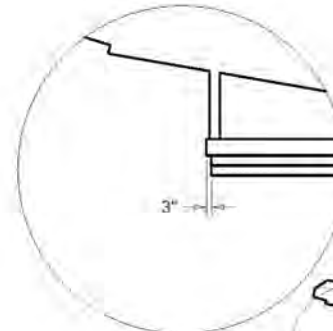
12 - 8' X 40' MATTING REQUIRED
 FOR TANK BASE



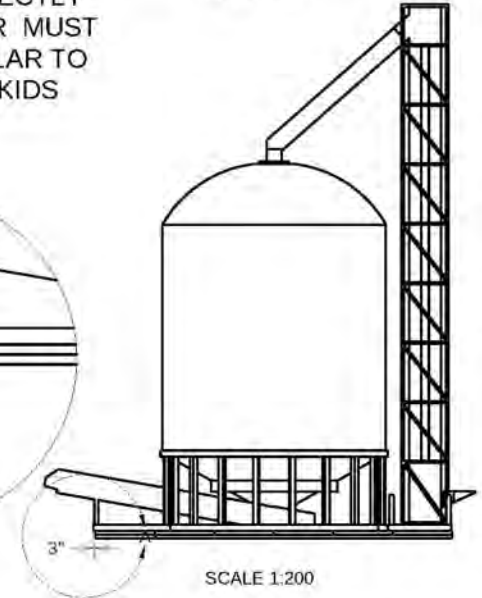
3" Skid must overhang
 rig mats.

SCALE 1:200

TOP LAYER OF MATTING DIRECTLY
 UNDER TANK AND ELEVATOR MUST
 BE INSTALLED PERPENDICULAR TO
 BOTTOM LAYER AND TANK SKIDS



DETAIL A
 SCALE 1:75



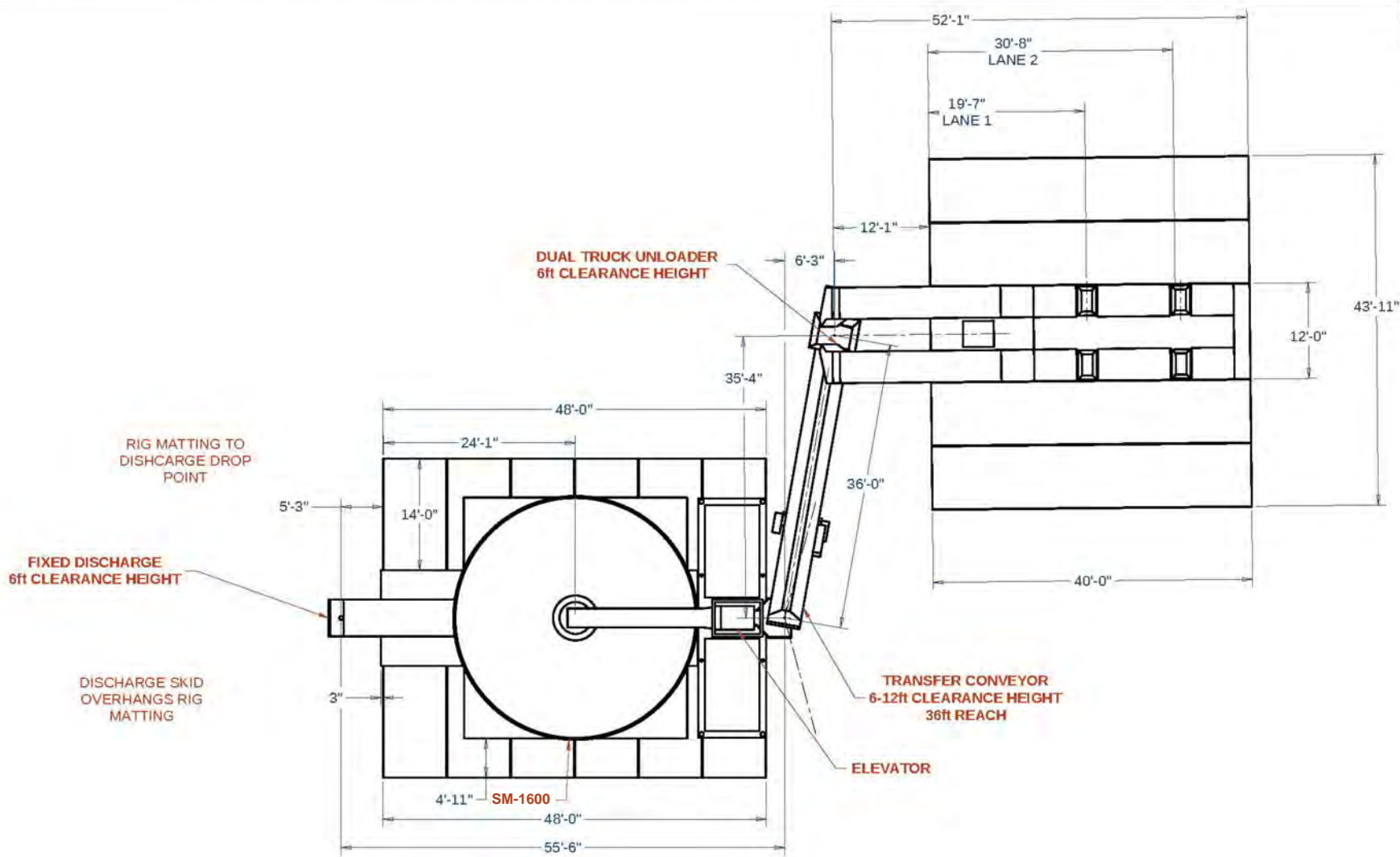
3"

SCALE 1:200



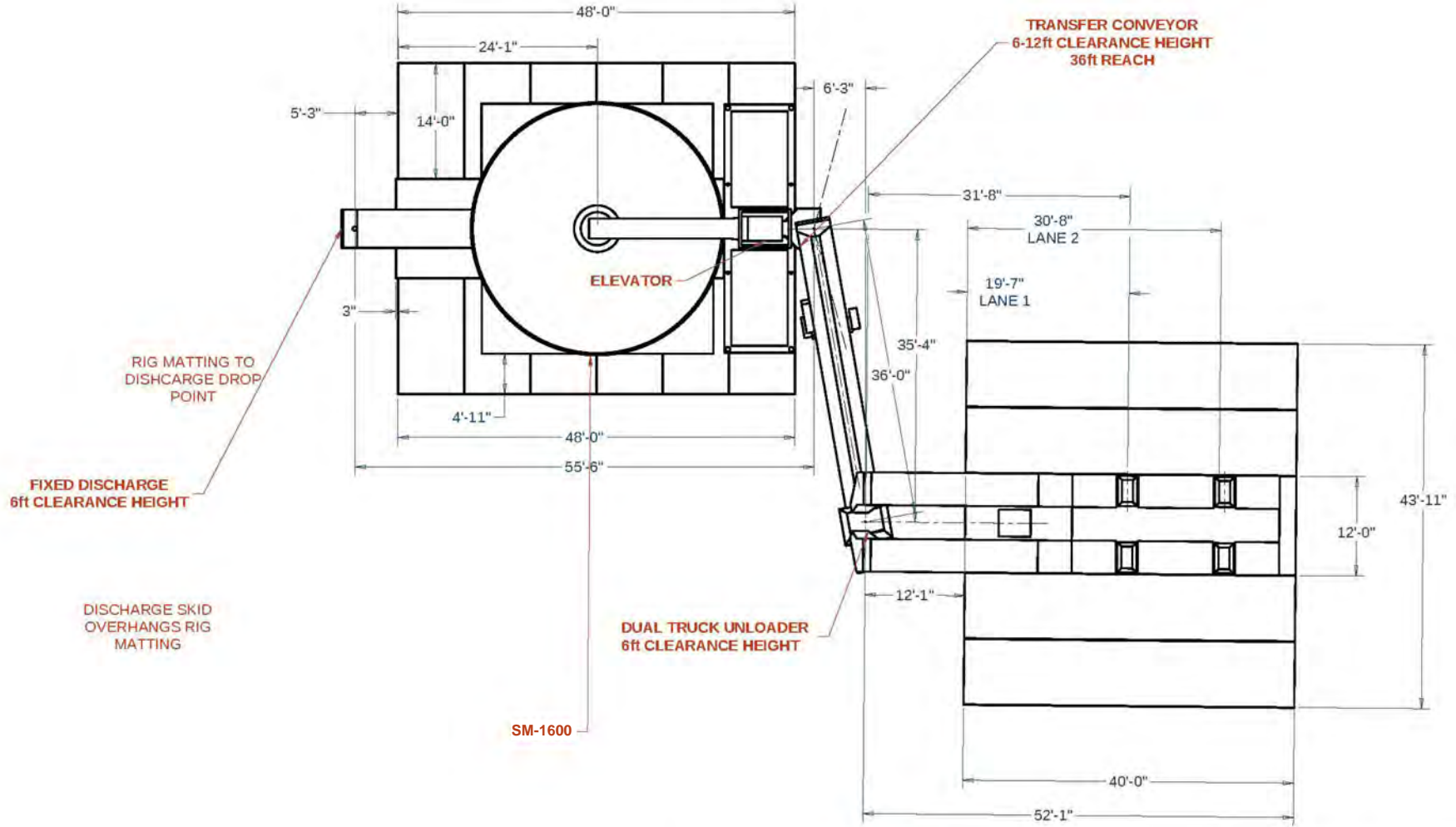
DRAWN BY	SHEA LAYDEN		SHEET 1 OF 3	SCALE 1:100	PART NO.
DATE DRAWN	02/09/2023		<small> THE INFORMATION ON THIS DRAWING IS THE PROPERTY OF SPEARHEAD SAND. IT IS TO BE USED ONLY FOR THE PROJECT AND LOCATION SPECIFICALLY IDENTIFIED ON THIS DRAWING. IT IS NOT TO BE REPRODUCED, COPIED, OR TRANSMITTED IN ANY FORM OR BY ANY MEANS, ELECTRONIC OR MECHANICAL, INCLUDING PHOTOCOPYING, RECORDING, OR BY ANY INFORMATION STORAGE AND RETRIEVAL SYSTEM, WITHOUT THE WRITTEN PERMISSION OF SPEARHEAD SAND. </small>		
LAST CHANGED	02/15/2023				SM-1600-MATTING

REV	DESCRIPTION
	INITIAL RELEASE



	DRAWN BY	SHEA LAYDEN		SHEET 1 OF 1	SCALE 1:100	PART NO.
	DATE DRAWN	12/13/2022		<small> DIMENSIONS ARE IN UNITS UNLESS OTHERWISE NOTED. DIMENSIONS TO CENTER UNLESS NOTED OTHERWISE. DIMENSIONS ARE TO CENTER UNLESS OTHERWISE NOTED. DIMENSIONS TO CENTER UNLESS OTHERWISE NOTED. DIMENSIONS TO CENTER UNLESS OTHERWISE NOTED. DIMENSIONS TO CENTER UNLESS OTHERWISE NOTED. </small>	<small> THE INFORMATION AND DESIGN CONTAINED IN THIS DRAWING AND SPECIFICATIONS ARE THE PROPERTY OF SPEARHEAD SAND AND SHALL REMAIN THE PROPERTY OF SPEARHEAD SAND AND NOT BE REPRODUCED OR TRANSMITTED IN ANY FORM OR BY ANY MEANS, ELECTRONIC OR MECHANICAL, INCLUDING PHOTOCOPYING, RECORDING, OR BY ANY INFORMATION STORAGE AND RETRIEVAL SYSTEM, WITHOUT THE WRITTEN PERMISSION OF SPEARHEAD SAND. </small>	TU-TC36-SM16K
	LAST CHANGED	03/03/2023				SM-1600-LAYOUT-C

REV	DESCRIPTION
	INITIAL RELEASE



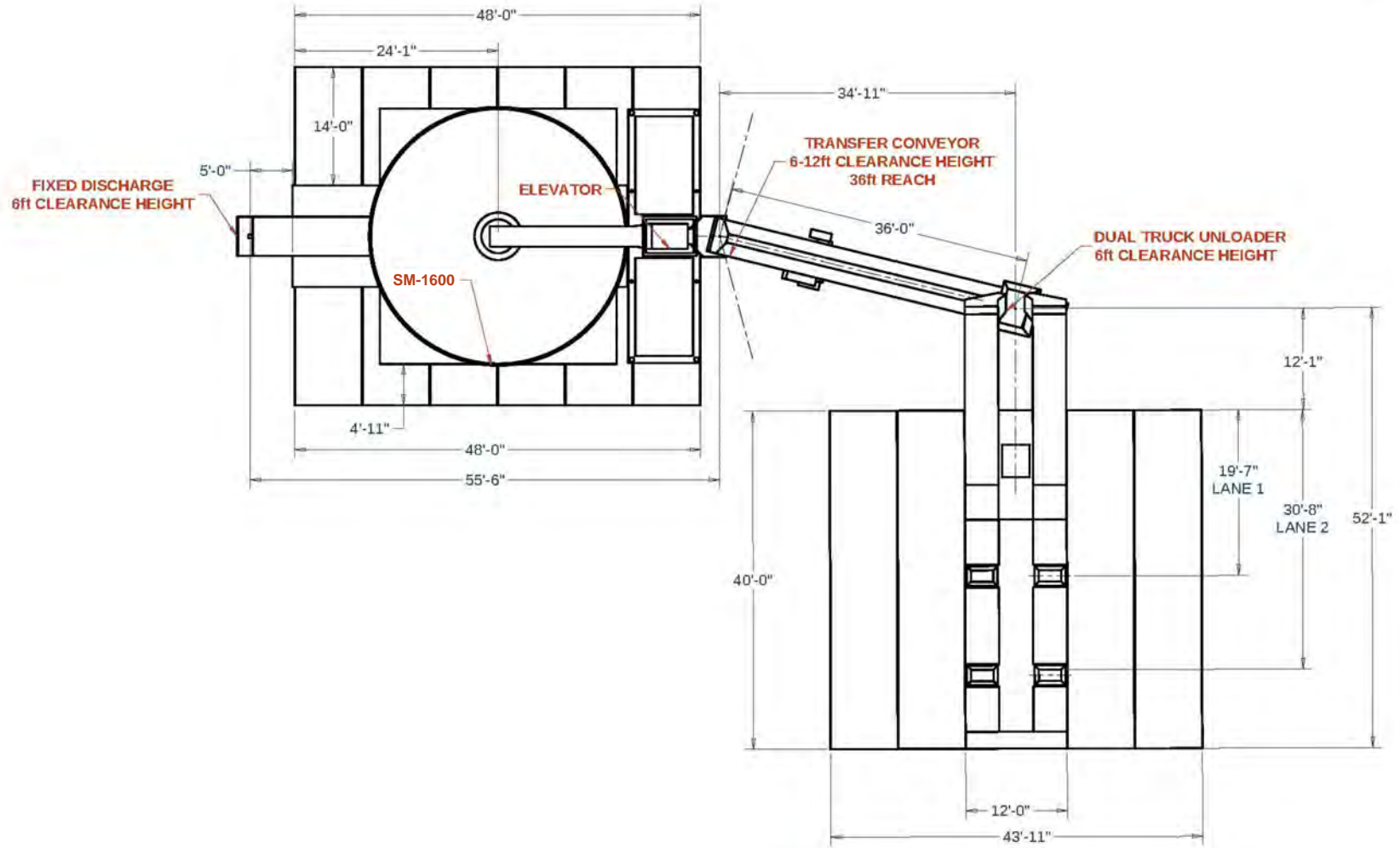
DRAWN BY	MONTE H
DATE DRAWN	02/15/2023
LAST CHANGED	03/03/2023



SHEET 1 OF 1 SCALE: 1:150

PART NO.	TU-TC36-SM16K
	SM-1600-LAYOUT-C

REV	DESCRIPTION
	INITIAL RELEASE



DRAWN BY	MONTE H
DATE DRAWN	02/15/2023
LAST CHANGED	02/15/2023



SHEET 00FL	SCALE 1:50
------------	------------

PART NO.	TU-TC36-SM16K
	SM-1600-LAYOUT-C

THE INFORMATION AND DIMENSIONS CONTAINED HEREIN ARE THE PROPERTY OF SPEARHEAD SAND AND SHALL REMAIN CONFIDENTIAL. NO PART OF THIS DOCUMENT IS TO BE REPRODUCED OR TRANSMITTED IN ANY FORM OR BY ANY MEANS, ELECTRONIC OR MECHANICAL, INCLUDING PHOTOCOPYING, RECORDING, OR BY ANY INFORMATION STORAGE AND RETRIEVAL SYSTEM, WITHOUT THE WRITTEN PERMISSION OF SPEARHEAD SAND.