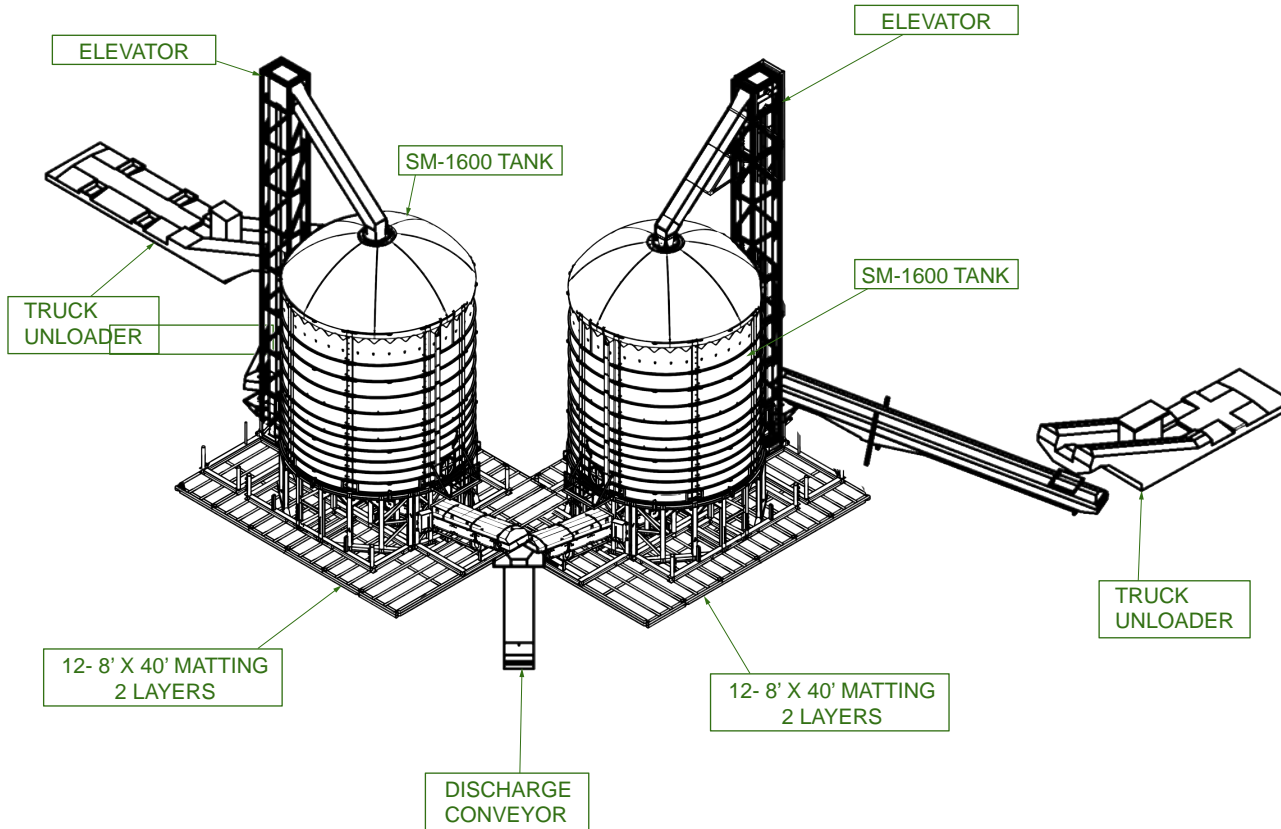


THE SANDMINION
BY SPEARHEAD SAND INC.



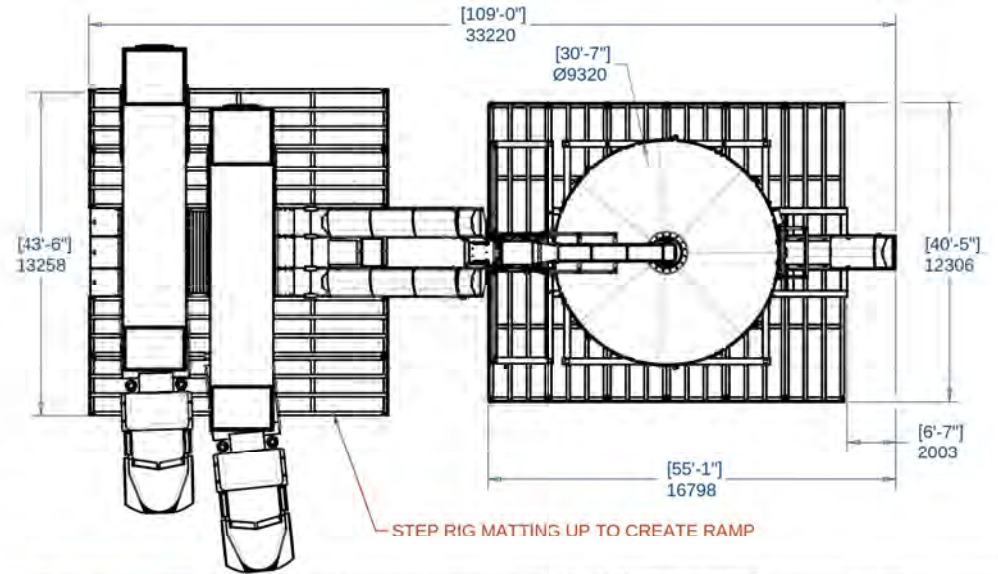
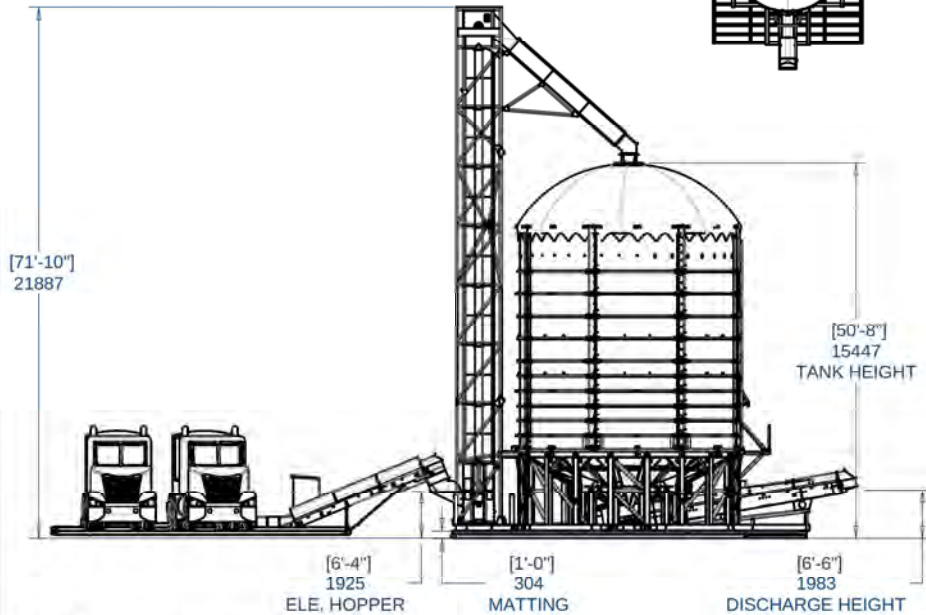
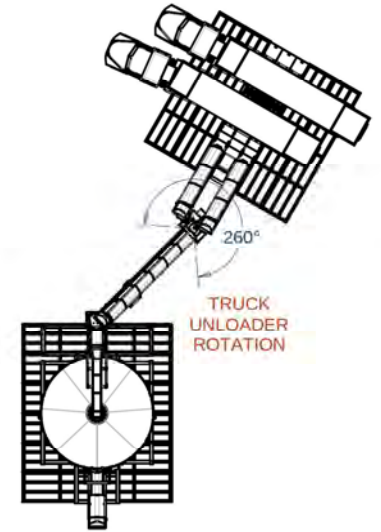
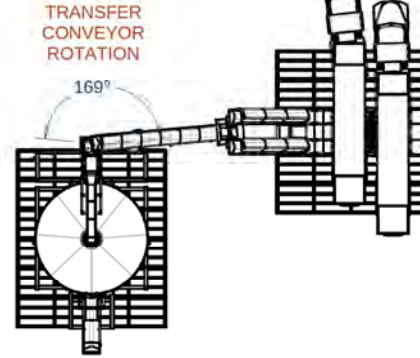
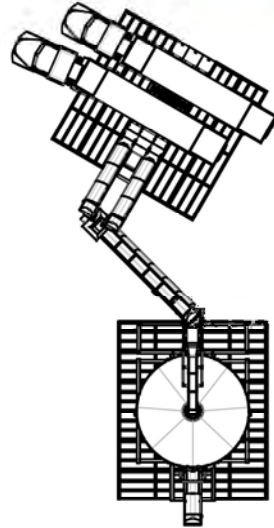
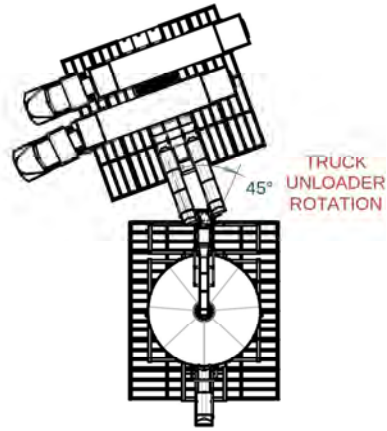
SECS

CAPACITY	TONNE	TON (US)	
	3200	3520	
DIMENSIONS	METER	FT	
	OVERALL LENGTH	66	218
	OVERALL WIDTH	27	88
	TANK HEIGHT	31	102
	ELEVATOR HEIGHT	44	144
WEIGHTS	KG	LBS	
	TANK PANNELS	49'000	108'000
	CENTER HOPPER MOD	43'600	96'000
	SIDE HOPPER MODS	27'200	60'000
	ELEVATOR	25'000	55'000
	TRUCK UNLOADER	27'200	60'000
	TANK ASSEMBLY FULL	3'372'000	7'434'000
SHIPPING	TRUCK LOADS		
HOPPER	6		
TANK PANELS	2		
ELEVATOR	2		
TRUCK UNLOADER	2		
CONEYOR SPEEDS	TPH	TPH (US)	
	TRUCK UNLOADER	330	364
	ELEVATOR	330	364
	DISCHARGE CONVEYOR	40-400 x2	44-440 x2



DRAWN BY	SHEA LAYDEN		SHEET 1 OF 1 SCALE:	PART NO. SM-3200-GA
DATE DRAWN	07/12/2023			
LAST CHANGED	07/12/2023			
<small> DIMENSIONS ARE IN MM UNLESS CALLED OUT OTHERWISE. TOLERANCES ARE .04M AND .1 UNLESS CALLED OUT OTHERWISE. CRITICAL DIMENSIONS ARE CALLED OUT. THESE DIMENSIONS ARE IN () WITH ALL SHARP EDGES. </small>		<small> THE INFORMATION AND DESIGN CONTAINED IN THIS DRAWING ARE CONFIDENTIAL AND THE PROPERTY OF SPEARHEAD SAND INC. NO REPRODUCTION OR DISSEMINATION OF THIS DESIGN OR ANY INFORMATION CONTAINED HEREIN MAY BE REPRODUCED OR DISCLOSED TO OTHERS WITHOUT THE WRITTEN CONSENT OF SPEARHEAD MANUFACTURING. </small>		<small>SPECS</small>

VERY FLEXIBLE AND CONFIGURABLE / SUPER SMALL FOOTPRINT

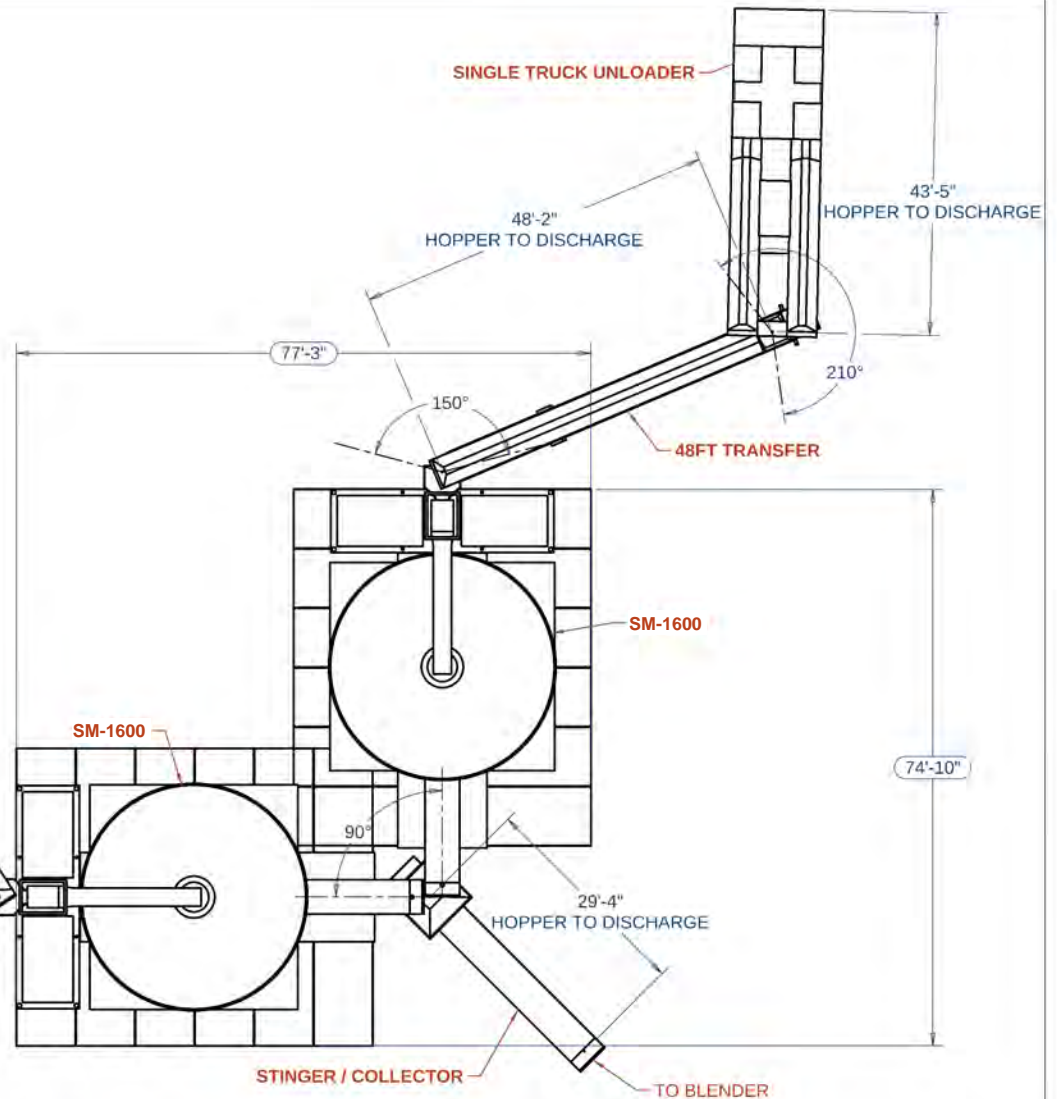
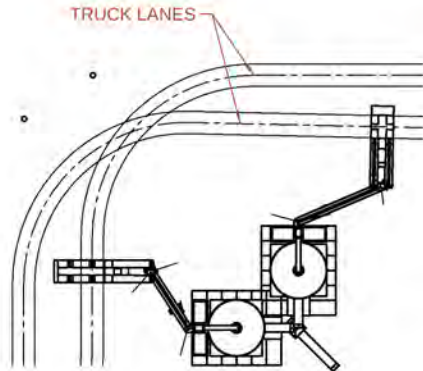
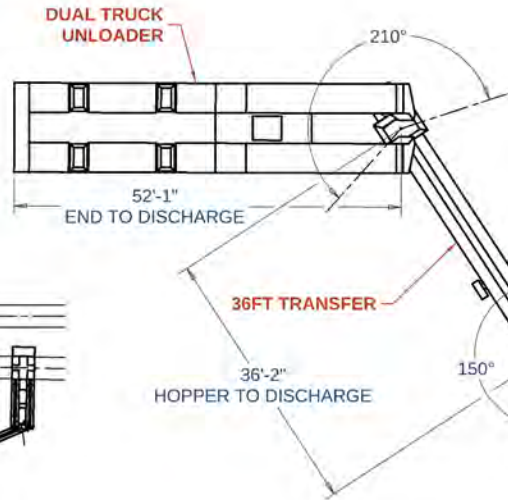
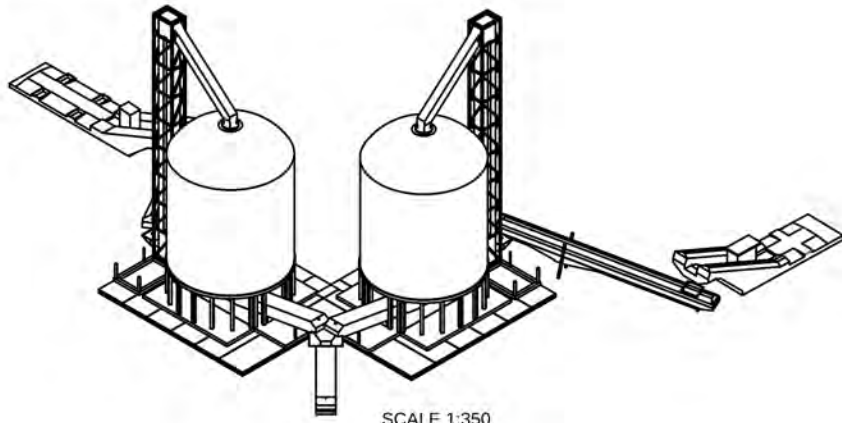


DRAWN BY	SHEA LAYDEN
DATE DRAWN	07/17/2022
LAST CHANGED	10/20/2022



SHEET 3 OF 1	SCALE: 1:200
<small>THE SANDMINION AND SPEARHEAD SAND are trademarks of Spearhead Sand Inc. All rights reserved. © 2022 Spearhead Sand Inc. All other trademarks are the property of their respective owners. THE SANDMINION AND SPEARHEAD SAND are registered trademarks of Spearhead Sand Inc. in the United States and other countries. THE SANDMINION AND SPEARHEAD SAND are registered trademarks of Spearhead Sand Inc. in the United States and other countries. THE SANDMINION AND SPEARHEAD SAND are registered trademarks of Spearhead Sand Inc. in the United States and other countries.</small>	

PART NO.	SM-3200-GA
LAYOUT	

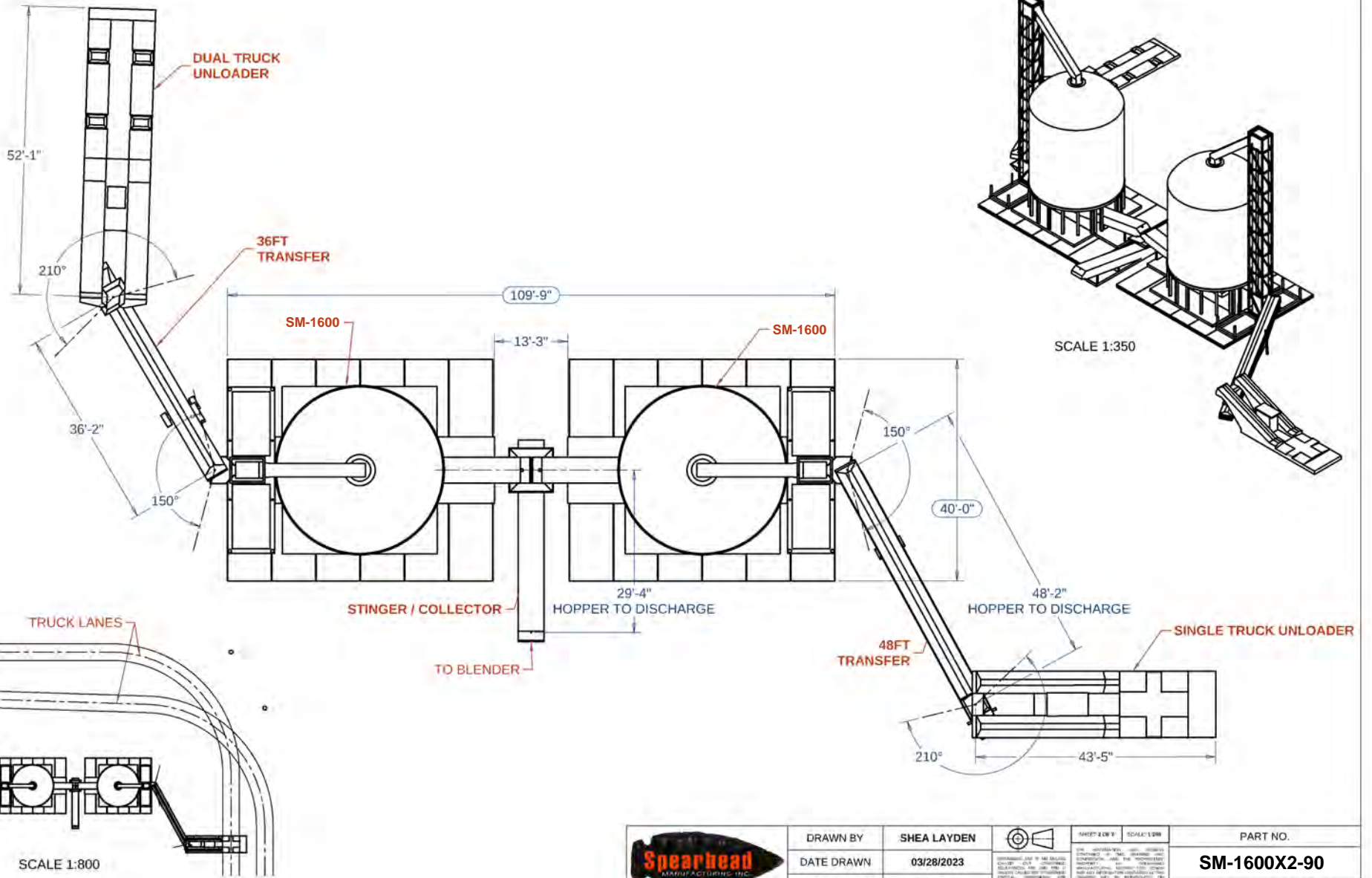



DRAWN BY SHEA LAYDEN
 DATE DRAWN 03/28/2023
 LAST CHANGED 04/17/2023



SHEET 1 OF 2 SCALE 1:800

PART NO.
SM-1600X2-90



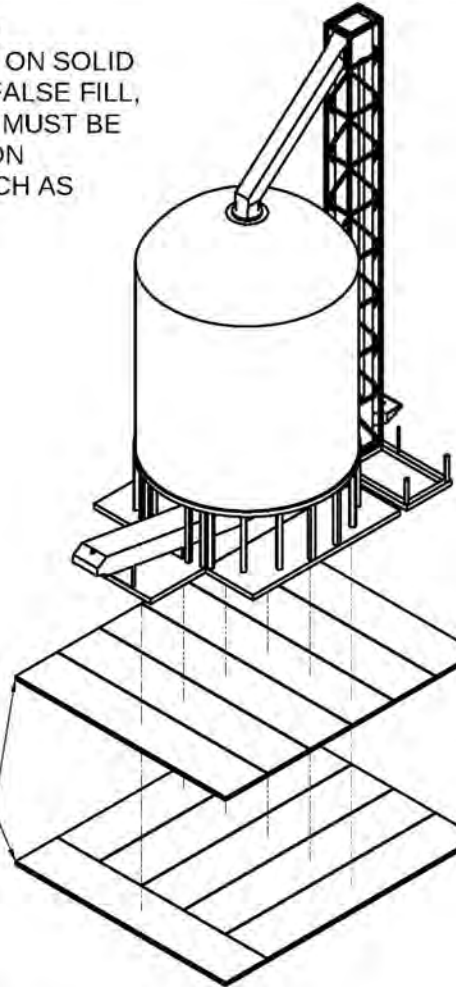
DRAWN BY	SHEA LAYDEN	 <small>USE UNLESS NOTED OTHERWISE. DIMENSIONS SHOWN UNLESS OTHERWISE NOTED. DIMENSIONS ARE TO CENTER UNLESS OTHERWISE NOTED. DIMENSIONS ARE TO CENTER UNLESS OTHERWISE NOTED. DIMENSIONS ARE TO CENTER UNLESS OTHERWISE NOTED. DIMENSIONS ARE TO CENTER UNLESS OTHERWISE NOTED.</small>	SCALE: 1:800
DATE DRAWN	03/28/2023		
LAST CHANGED	04/12/2023		

PART NO.	SM-1600X2-90
----------	--------------

REV	DESCRIPTION
	INITIAL RELEASE

GROUND WORK PREPERATION
 SAND MINION MUST BE SET UP ON SOLID
 LEVEL GROUND, DO NOT USE FALSE FILL,
 ALL MATERIALS TO LEVEL PAD MUST BE
 COMPACTED TO 400KPA OR NON
 CAMPACTABLE MATERIALS SUCH AS
 WASHED ROCK

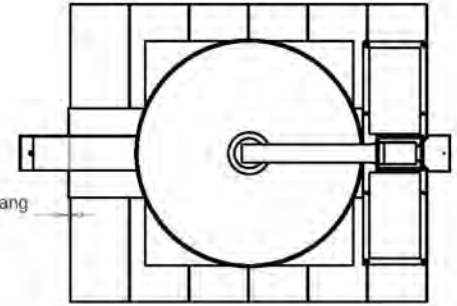
MATTING LAYOUT AND GROUND WORK PREP



MATTING STACKED IN THE
 SAME DIRECTION
 MUST BE INSTALLED UNDER
 DISCHARGE CONVEYOR
 END.

BOTTOM
 LAYER

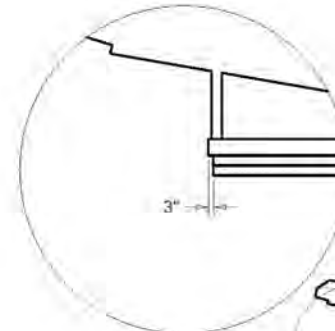
12 - 8' X 40' MATTING REQUIRED
 FOR TANK BASE



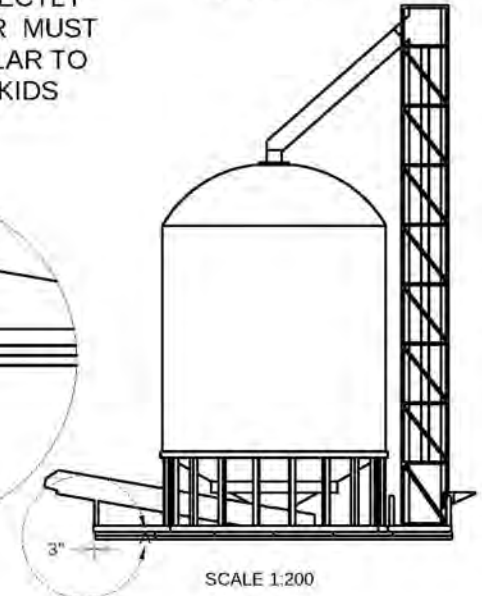
3" Skid must overhang
 rig mats.

SCALE 1:200

TOP LAYER OF MATTING DIRECTLY
 UNDER TANK AND ELEVATOR MUST
 BE INSTALLED PERPENDICULAR TO
 BOTTOM LAYER AND TANK SKIDS



DETAIL A
 SCALE 1:75



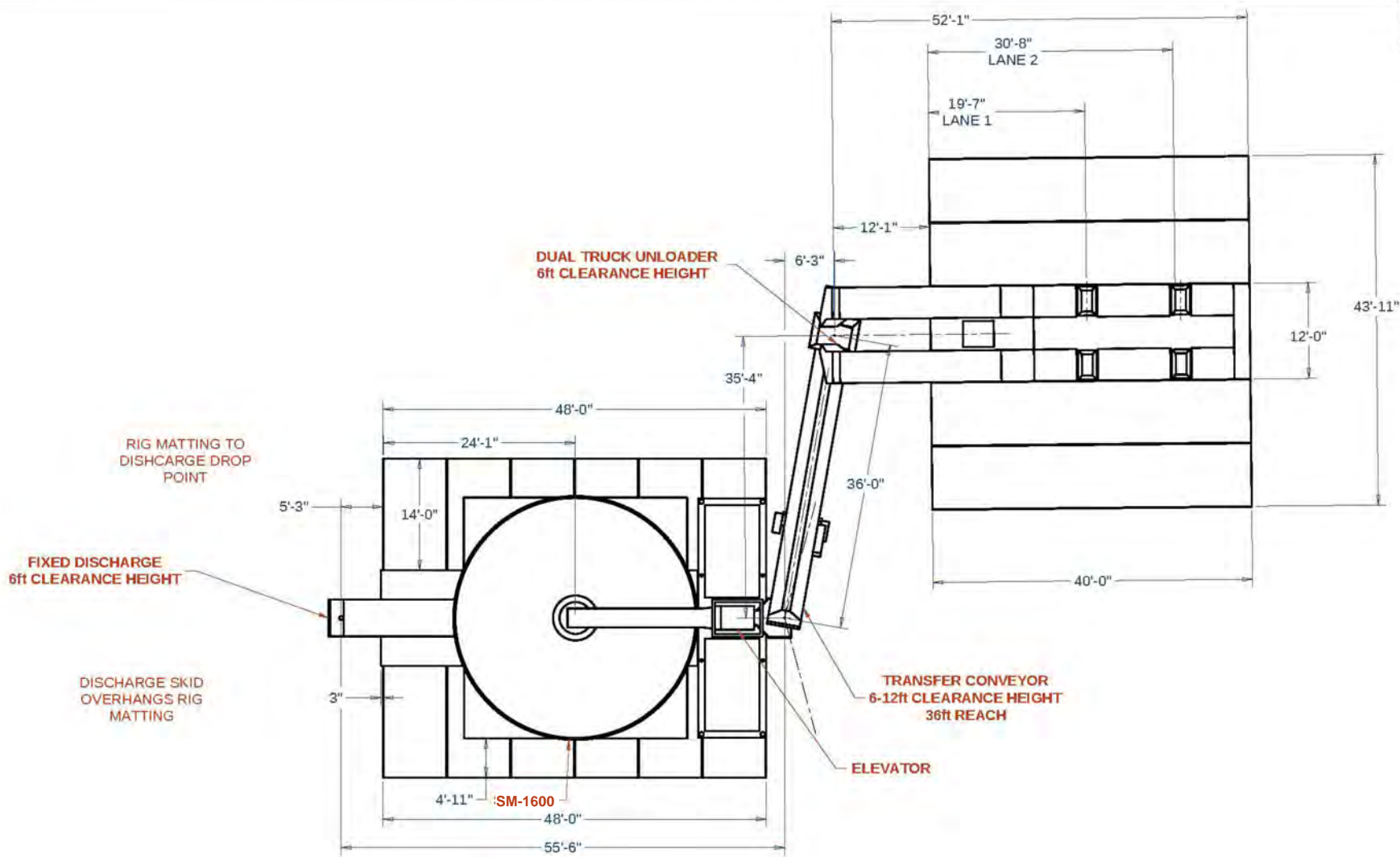
3"

SCALE 1:200

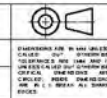


DRAWN BY	SHEA LAYDEN		SHEET 1 OF 3	SCALE 1:100	PART NO.
DATE DRAWN	02/09/2023		<small> THE INFORMATION ON THIS DRAWING IS THE PROPERTY OF SPEARHEAD SAND. IT IS TO BE USED ONLY FOR THE PROJECT AND LOCATION SPECIFICALLY IDENTIFIED ON THIS DRAWING. IT IS NOT TO BE REPRODUCED, COPIED, OR TRANSMITTED IN ANY FORM OR BY ANY MEANS, ELECTRONIC OR MECHANICAL, INCLUDING PHOTOCOPYING, RECORDING, OR BY ANY INFORMATION STORAGE AND RETRIEVAL SYSTEM, WITHOUT THE WRITTEN PERMISSION OF SPEARHEAD SAND. </small>		
LAST CHANGED	02/15/2023				SM-3200-MATTING

REV	DESCRIPTION
	INITIAL RELEASE



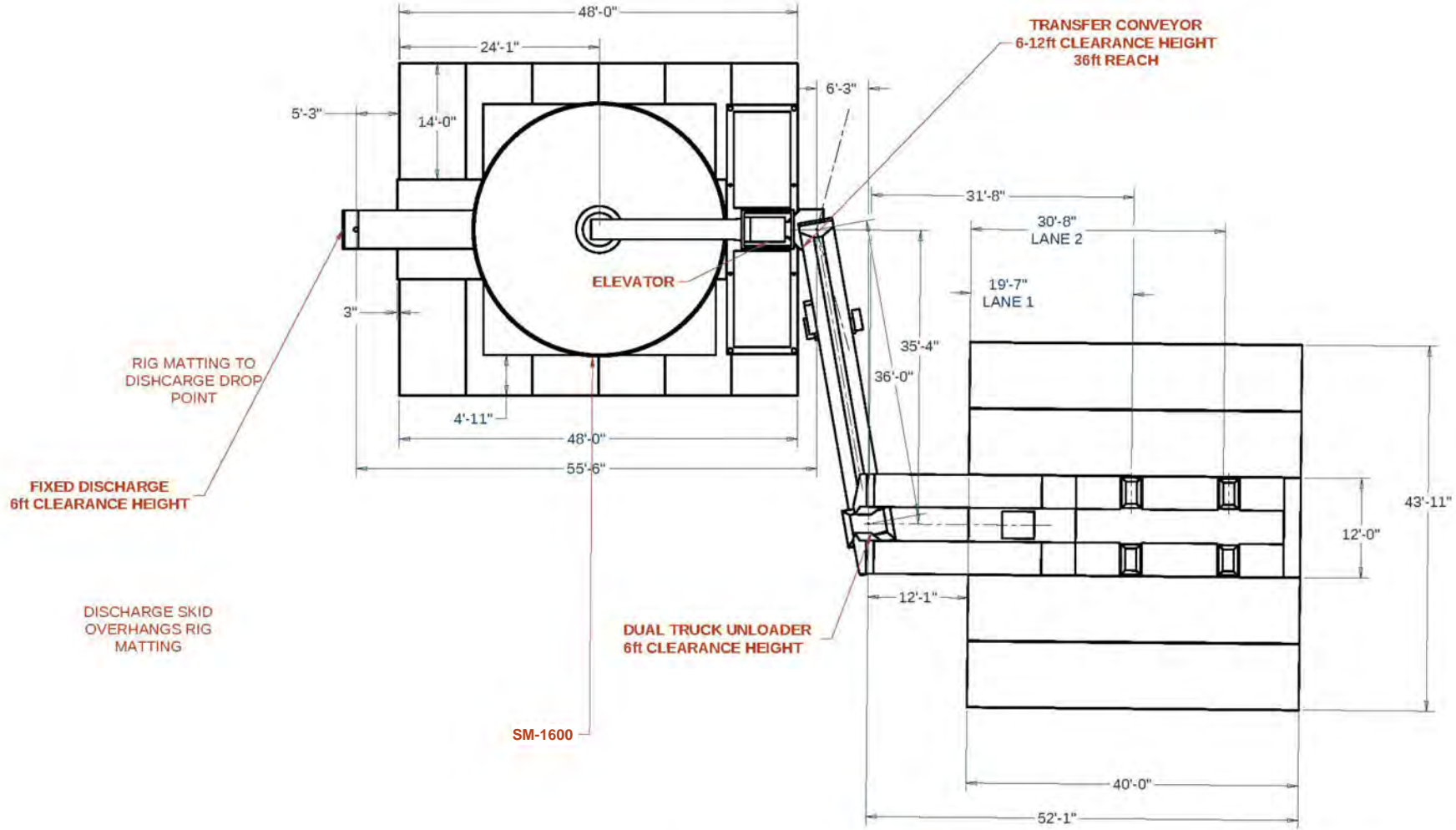
DRAWN BY	SHEA LAYDEN
DATE DRAWN	12/13/2022
LAST CHANGED	03/03/2023



SHEET 1 OF 1	SCALE 1:100
--------------	-------------

PART NO.	TU-TC36-SM32K
	SM-3200-LAYOUT-C

REV	DESCRIPTION
	INITIAL RELEASE



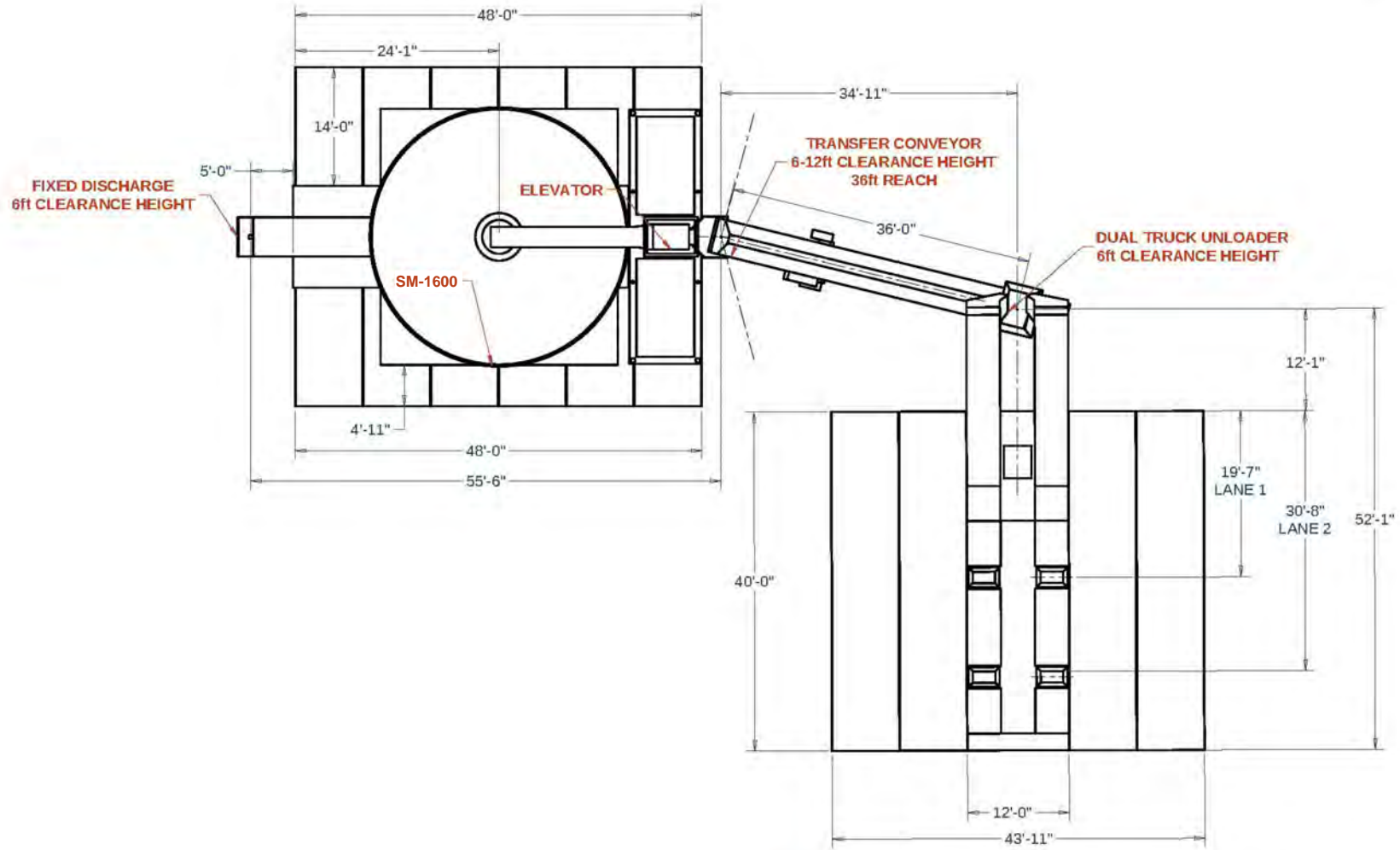
DRAWN BY	MONTE H
DATE DRAWN	02/15/2023
LAST CHANGED	03/03/2023



SHEET 1 OF 1	SCALE 1:150
--------------	-------------

PART NO.	TU-TC36-SM32K
	SM-3200-LAYOUT-C

REV	DESCRIPTION
	INITIAL RELEASE



DRAWN BY	MONTE H
DATE DRAWN	02/15/2023
LAST CHANGED	02/15/2023



SHEET 00FL	SCALE 1:50
------------	------------

PART NO.	TU-TC36-SM32K
	SM-3200-LATOUT-C

THE INFORMATION AND DIMENSIONS CONTAINED HEREIN ARE THE PROPERTY OF SPEARHEAD SAND AND SHALL REMAIN CONFIDENTIAL. NO PART OF THIS DOCUMENT IS TO BE REPRODUCED OR TRANSMITTED IN ANY FORM OR BY ANY MEANS, ELECTRONIC OR MECHANICAL, INCLUDING PHOTOCOPYING, RECORDING, OR BY ANY INFORMATION STORAGE AND RETRIEVAL SYSTEM, WITHOUT THE WRITTEN PERMISSION OF SPEARHEAD SAND.