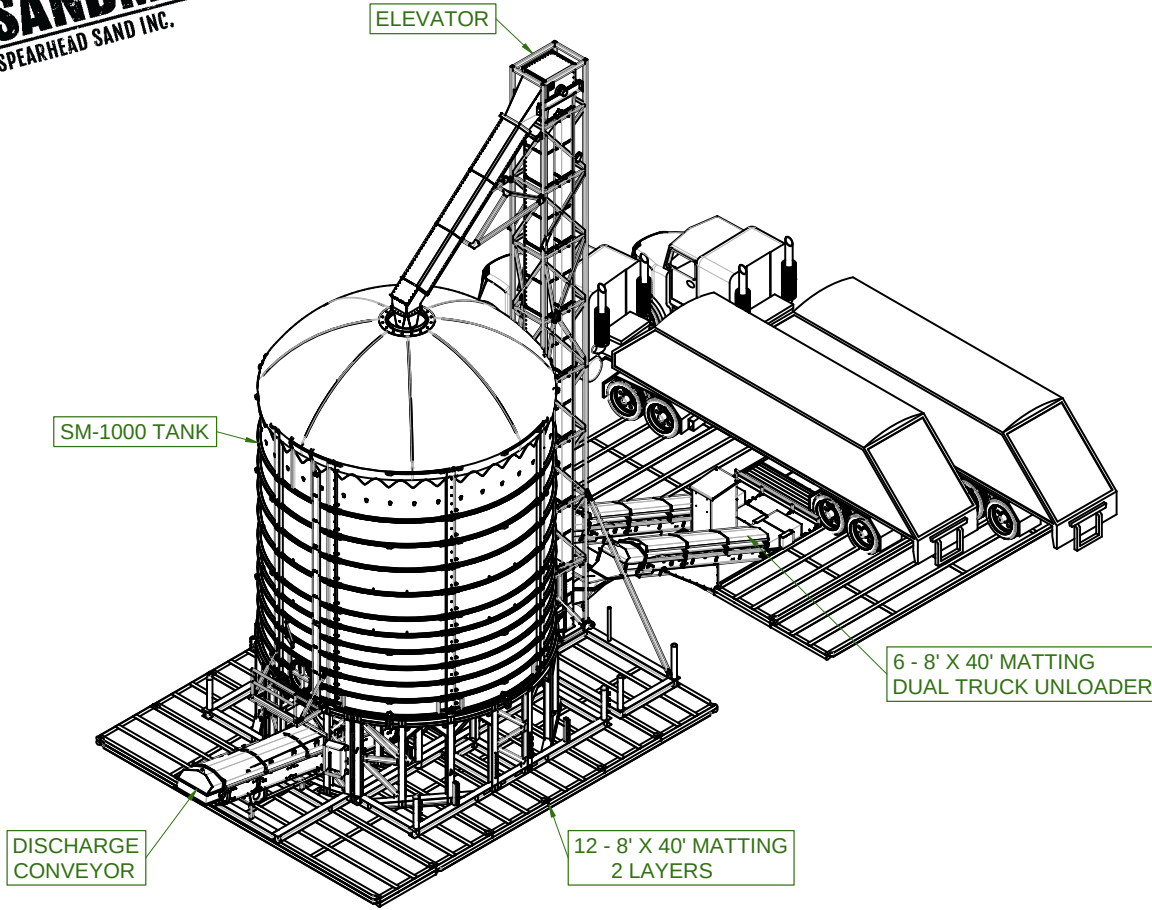


THE SANDMINION
BY SPEARHEAD SAND INC.



SPCS

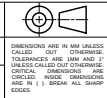
CAPACITY	TONNE	TON (US)
	1000	1100
DIMENSIONS	METER	FT
	OVERALL LENGTH	33
OVERAL WIDTH	13.5	44
TANK HEIGHT	15.5	51
ELEVATOR HEIGHT	22	72
WEIGHTS	KG	LBS
	TANK PANNELS	15'000
CENTER HOPPER MOD	18'000	40'000
SIDE HOPER MODS	9'500	21'000
ELEVATOR	12'500	27'500
TRUCK UNLOADER	13'600	30'000
TANK ASSEMBLY FULL	1'054'600	2'325'000
SHIPPING	TRUCK LOADS	
	HOPPER	2
TANK PANELS	1	
ELEVATOR	1	
TRUCK UNLOADER	1	
CONVEYOR SPEEDS	TPH	TPH (US)
	TRUCK UNLOADER	165
ELEVATOR	165	182
DISCHARGE CONVEYOR	40-400	44-440

ADDITIONAL REQUIREMENTS

POWER REQUIREMENT (3PH 460V)	70 KVA
RIG MATS REQUIRED	18



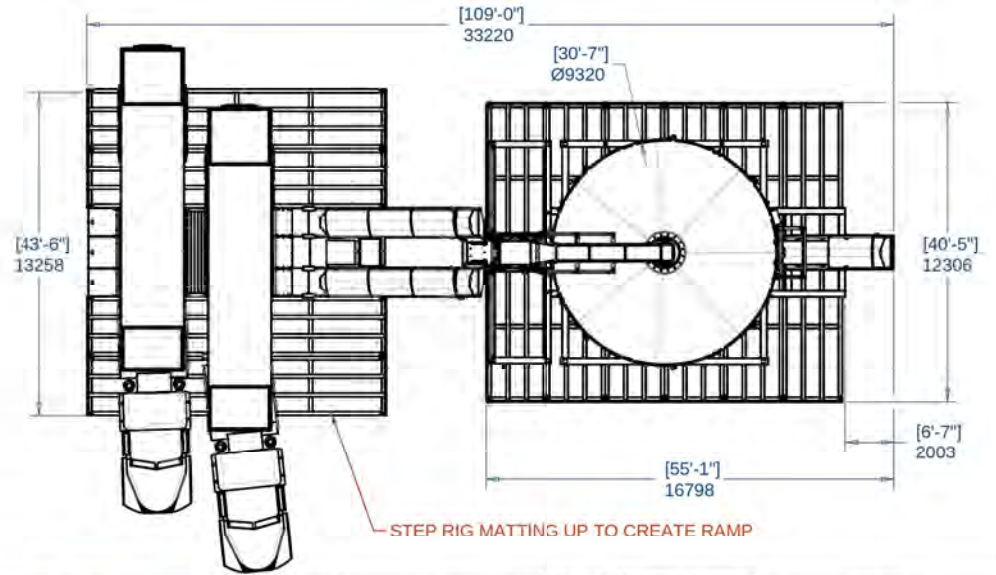
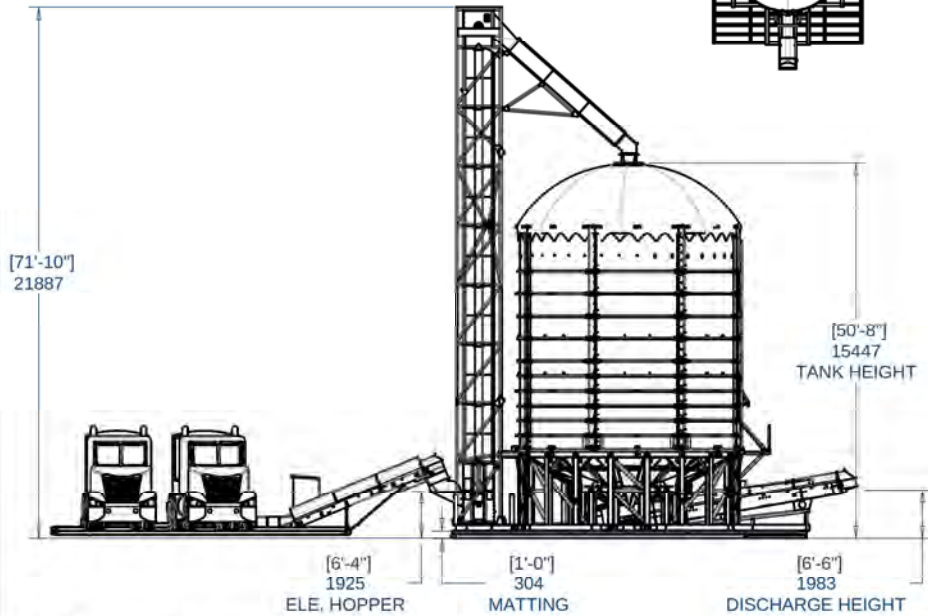
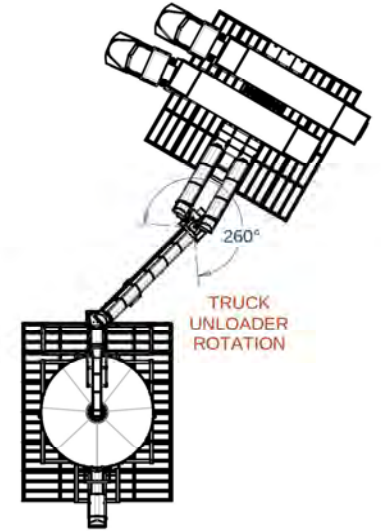
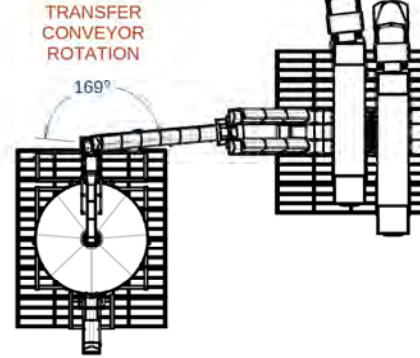
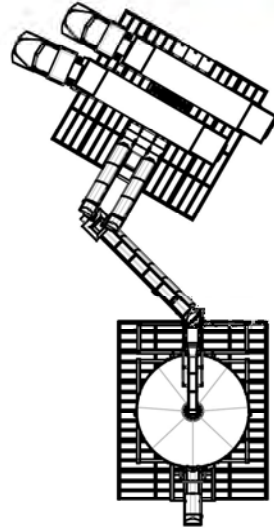
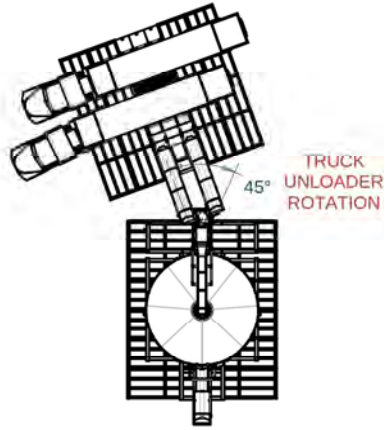
DRAWN BY	SHEA LAYDEN
DATE DRAWN	10/20/2022
LAST CHANGED	10/20/2022



SHEET 1 OF 1 SCALE 1:150
THE INFORMATION AND LOGOS CONTAINED IN THIS DRAWING ARE CONFIDENTIAL AND THE PROPRIETARY PROPERTY OF SPEARHEAD MANUFACTURING. BEFORE THIS DESIGN IS RELEASED TO ANY OTHER PARTY, ALL RIGHTS SHALL BE RESERVED. NO PART OF THIS DRAWING MAY BE REPRODUCED OR DISCLOSED TO OTHERS WITHOUT THE EXPRESS WRITTEN CONSENT OF SPEARHEAD MANUFACTURING.

PART NO.	SM-1000-GA
SPCS	

VERY FLEXIBLE AND CONFIGURABLE / SUPER SMALL FOOTPRINT



THE SANDMINION
BY SPEARHEAD SAND INC.



DRAWN BY	SHEA LAYDEN
DATE DRAWN	07/17/2022
LAST CHANGED	10/20/2022



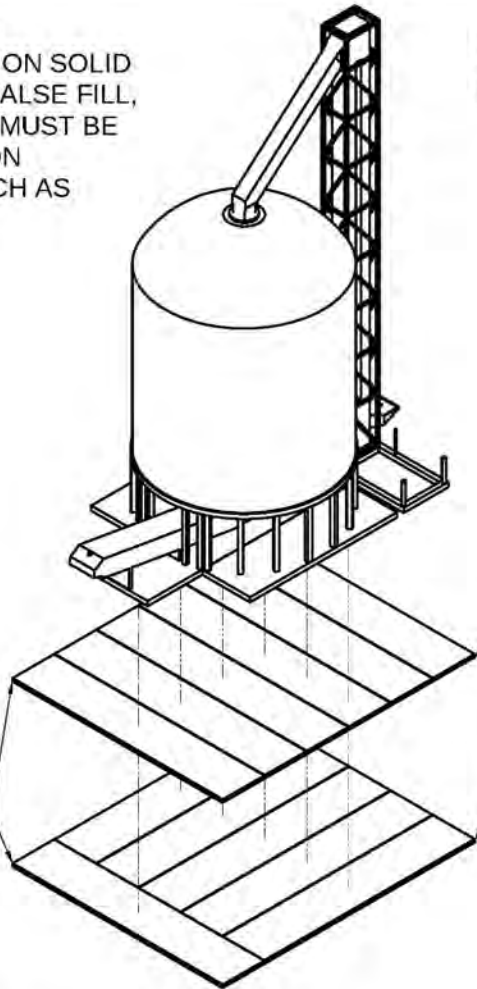
SHEET 3 OF 1	SCALE: 1:200
<small>THE SANDMINION AND SPEARHEAD SAND INC. ARE TRADEMARKS OF SPEARHEAD SAND INC. ALL RIGHTS RESERVED. THE DESIGN AND CONSTRUCTION OF THE SANDMINION IS THE PROPERTY OF SPEARHEAD SAND INC. AND IS NOT TO BE REPRODUCED OR TRANSMITTED IN ANY FORM OR BY ANY MEANS, ELECTRONIC OR MECHANICAL, INCLUDING PHOTOCOPYING, RECORDING, OR BY ANY INFORMATION STORAGE AND RETRIEVAL SYSTEM. WITHOUT THE EXPRESS WRITTEN PERMISSION OF SPEARHEAD SAND INC., NO PART OF THIS DOCUMENT MAY BE REPRODUCED OR TRANSMITTED IN ANY FORM OR BY ANY MEANS, ELECTRONIC OR MECHANICAL, INCLUDING PHOTOCOPYING, RECORDING, OR BY ANY INFORMATION STORAGE AND RETRIEVAL SYSTEM.</small>	

PART NO.	SM-1000-GA
LAYOUT	

REV	DESCRIPTION
	INITIAL RELEASE

MATTING LAYOUT AND GROUND WORK PREP

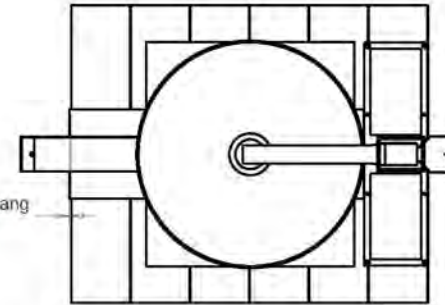
GROUND WORK PREPERATION
SAND MINION MUST BE SET UP ON SOLID
LEVEL GROUND, DO NOT USE FALSE FILL,
ALL MATERIALS TO LEVEL PAD MUST BE
COMPACTED TO 400KPA OR NON
CAMPACTABLE MATERIALS SUCH AS
WASHED ROCK



MATTING STACKED IN THE
SAME DIRECTION
MUST BE INSTALLED UNDER
DISCHARGE CONVEYOR
END.

BOTTOM
LAYER

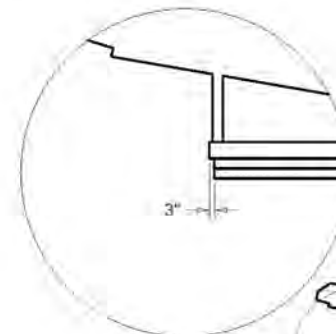
12 - 8' X 40' MATTING REQUIRED
FOR TANK BASE



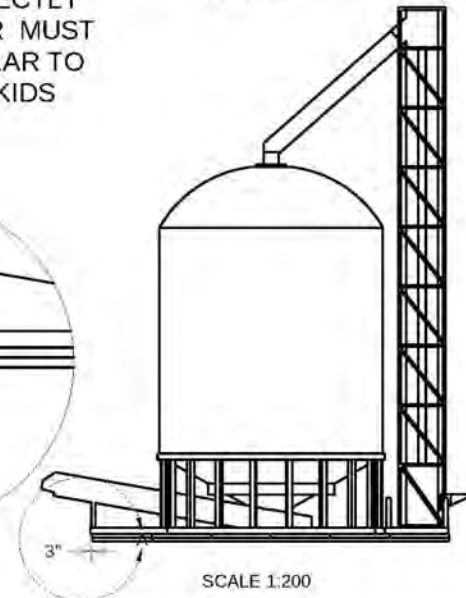
3" Skid must overhang
rig mats.

SCALE 1:200

TOP LAYER OF MATTING DIRECTLY
UNDER TANK AND ELEVATOR MUST
BE INSTALLED PERPENDICULAR TO
BOTTOM LAYER AND TANK SKIDS



DETAIL A
SCALE 1:75



SCALE 1:200

SPEARHEAD
SAND

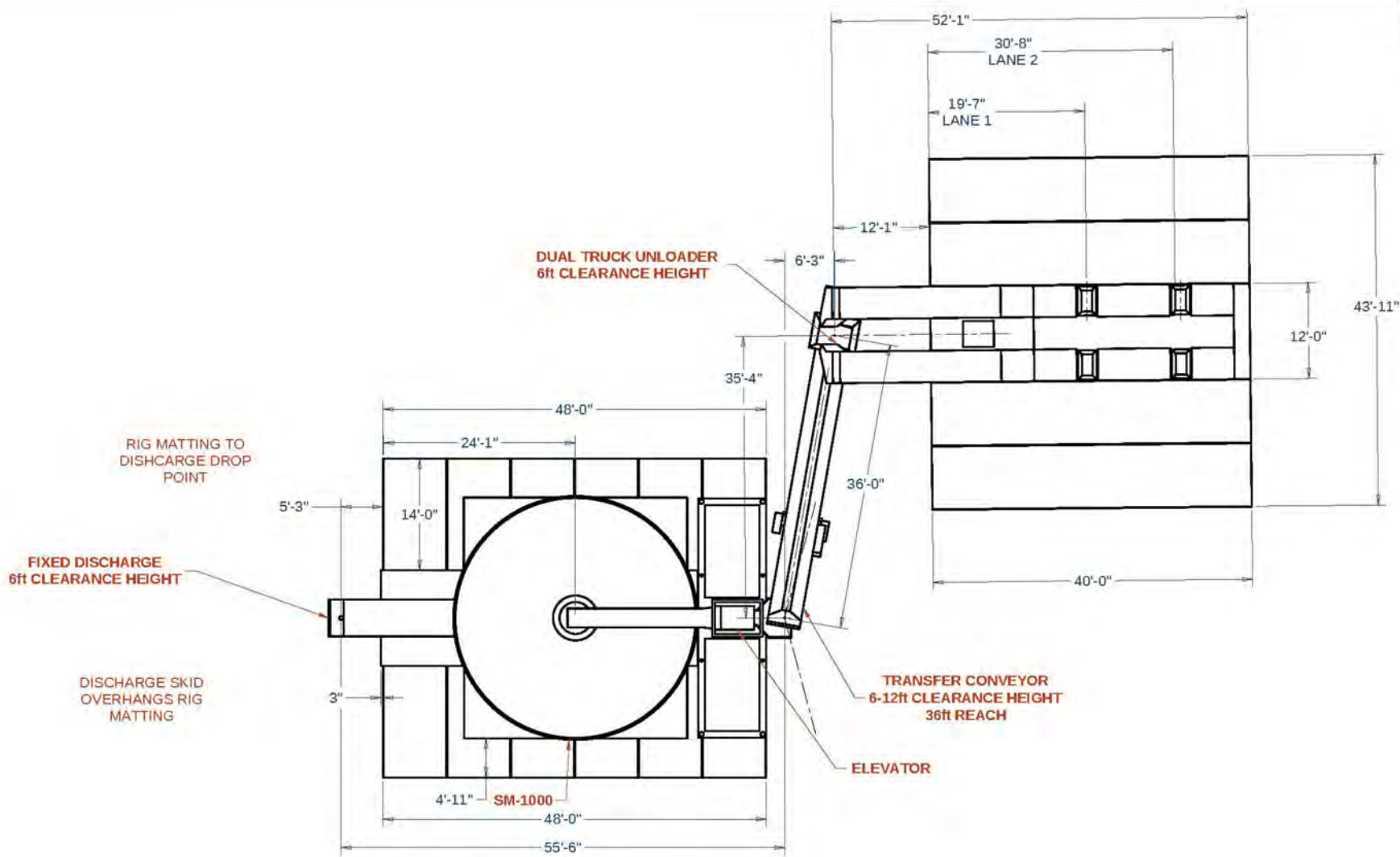
DRAWN BY SHEA LAYDEN
DATE DRAWN 02/09/2023
LAST CHANGED 02/15/2023



SHEET 1 OF 1
SCALE 1:1000

PART NO.
SM-1000 MATTING

REV	DESCRIPTION
	INITIAL RELEASE



FIXED DISCHARGE
6ft CLEARANCE HEIGHT

RIG MATTING TO
DISCHARGE DROP
POINT

DISCHARGE SKID
OVERHANGS RIG
MATTING

DUAL TRUCK UNLOADER
6ft CLEARANCE HEIGHT

TRANSFER CONVEYOR
6-12ft CLEARANCE HEIGHT
36ft REACH

ELEVATOR

SM-1000



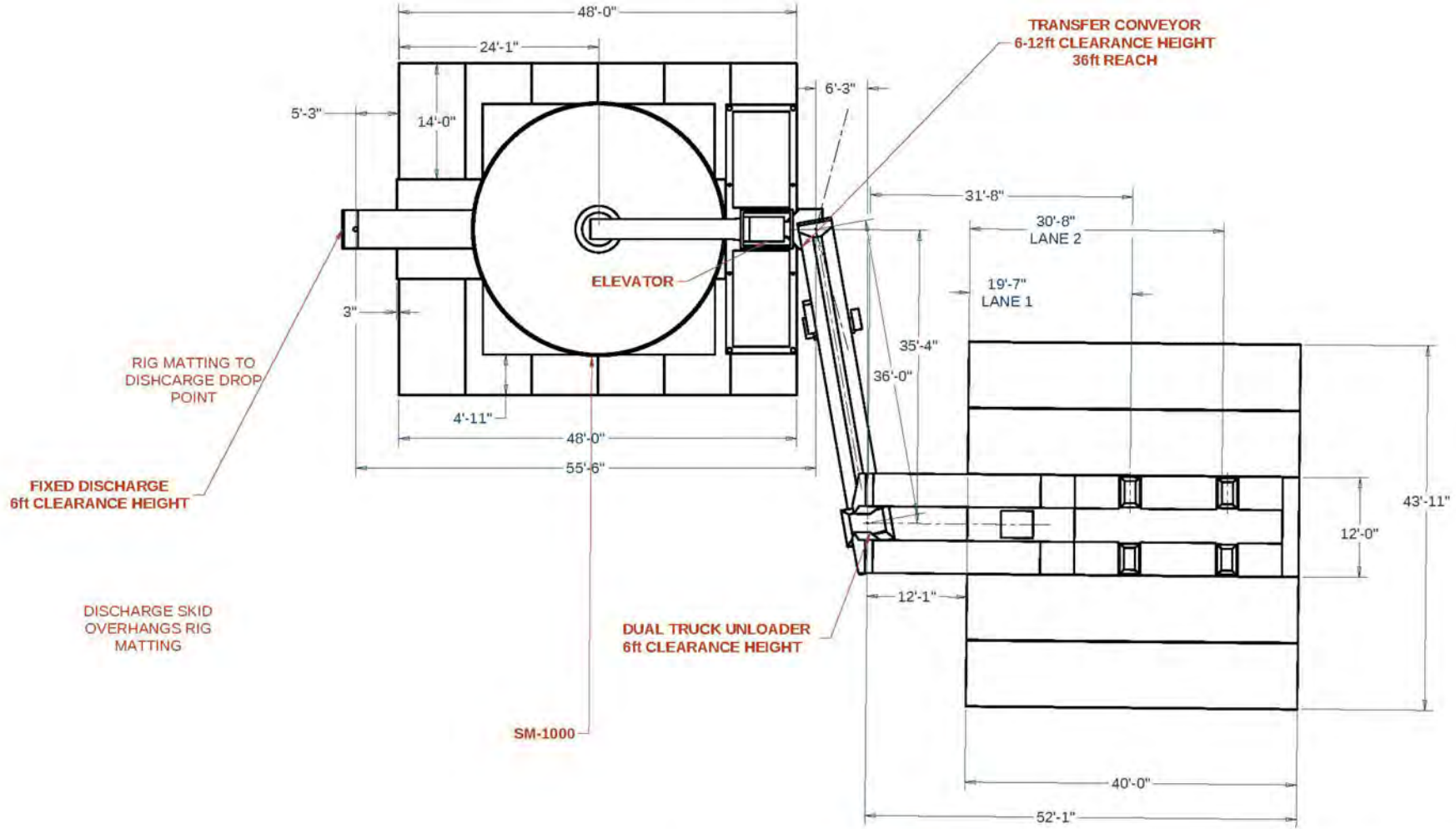
DRAWN BY	SHEA LAYDEN
DATE DRAWN	12/13/2022
LAST CHANGED	03/03/2023



SHEET 1 OF 1	SCALE 1:100
--------------	-------------

PART NO.	DTU-TC36-SM1K
	SM-1000-LAYOUT-A

REV	DESCRIPTION
	INITIAL RELEASE



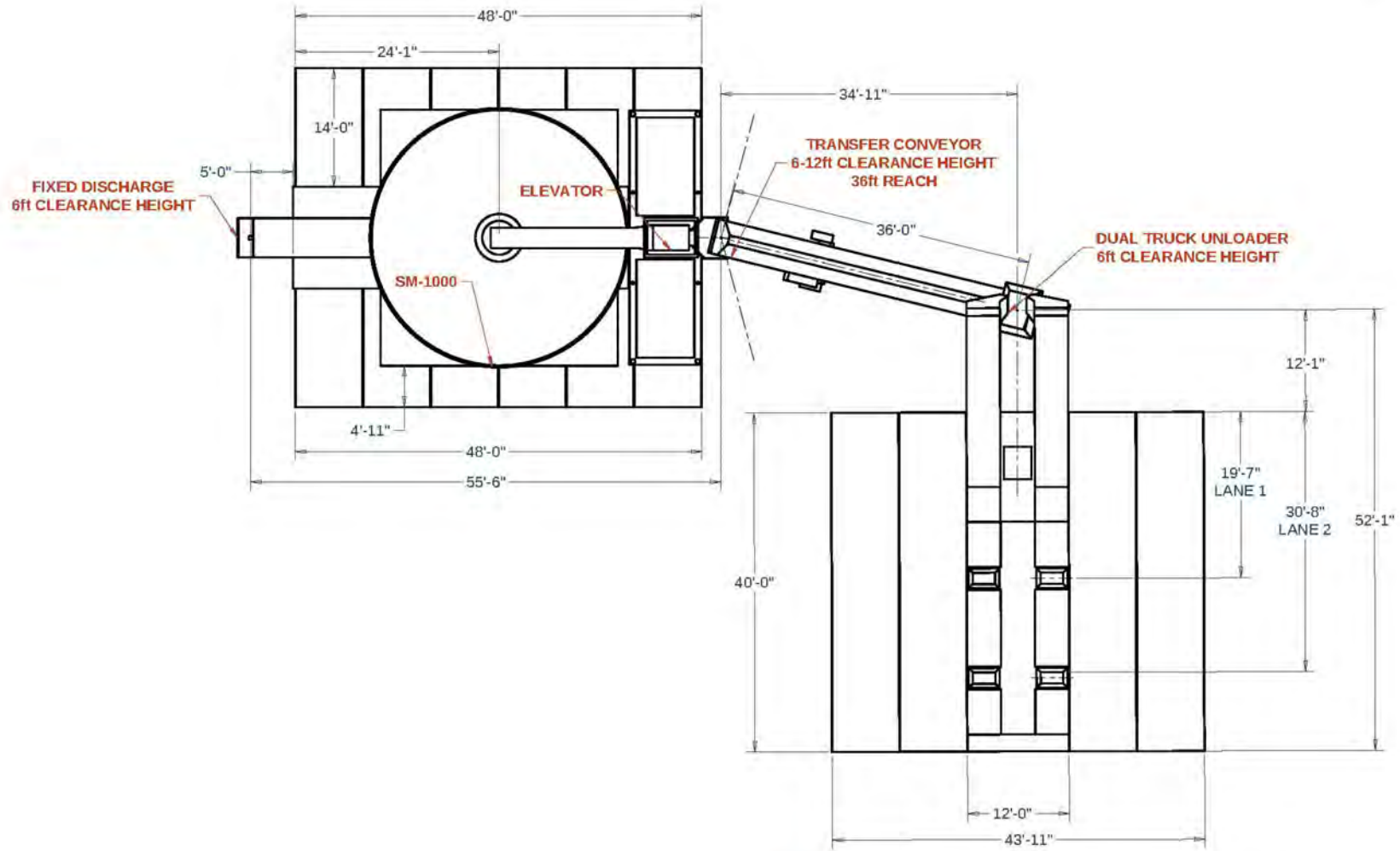
DRAWN BY	MONTE H
DATE DRAWN	02/15/2023
LAST CHANGED	03/03/2023



SHEET 00FL	SCALE 1:50
------------	------------

PART NO.	DTU-TC36-SM1K
	SM-1000-LATOUT-C

REV	DESCRIPTION
	INITIAL RELEASE



DRAWN BY	MONTE H
DATE DRAWN	02/15/2023
LAST CHANGED	02/15/2023



SHEET 00FL	SCALE 1:50
------------	------------

PART NO.	DTU-TC36-SM1K
	SM-1000-LAYOUT-C

THE INFORMATION AND DATA CONTAINED IN THIS DRAWING AND ANY ATTACHED SCHEDULES, SPECIFICATIONS AND NOTES ARE THE PROPERTY OF SPEARHEAD SAND AND SHALL REMAIN CONFIDENTIAL. NO PART OF THIS DRAWING OR ANY ATTACHED SCHEDULES, SPECIFICATIONS AND NOTES SHALL BE REPRODUCED OR TRANSMITTED IN ANY FORM OR BY ANY MEANS, ELECTRONIC OR MECHANICAL, INCLUDING PHOTOCOPYING, RECORDING, OR BY ANY INFORMATION STORAGE AND RETRIEVAL SYSTEM, WITHOUT THE WRITTEN PERMISSION OF SPEARHEAD SAND.