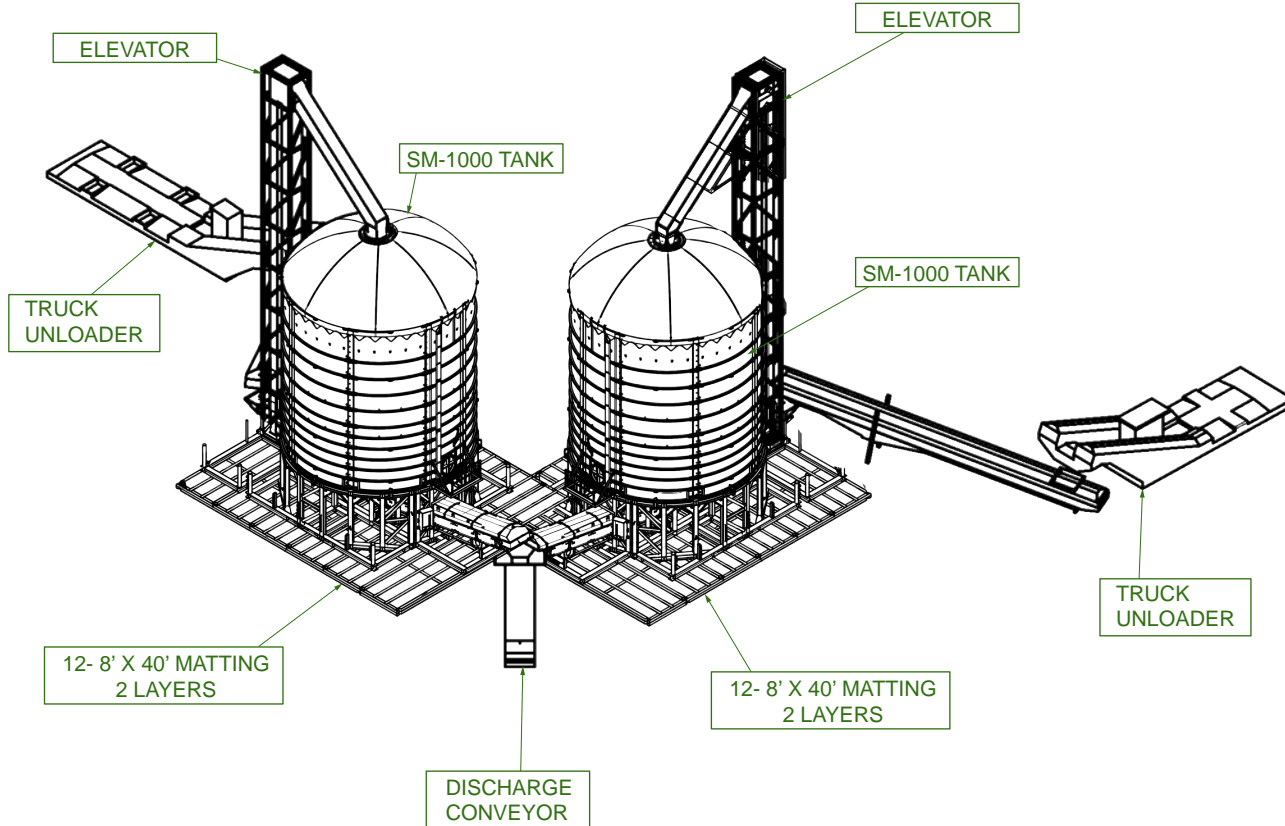


THE SANDMINION

BY SPEARHEAD SAND INC.

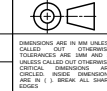


SPECS

CAPACITY	TONNE	TON (US)
	2000	2200
DIMENSIONS	METER	FT
	OVERALL LENGTH	66
OVERALL WIDTH	27	88
TANK HEIGHT	31	102
ELEVATOR HEIGHT	44	144
WEIGHTS	KG	LBS
	TANK PANNELS	15'000 x2
CENTER HOPPER MOD	18'000 x2	40'000 x2
SIDE HOPPER MODS	9'500 x2	21'000 x2
ELEVATOR	9'100 x2	20'000 x2
TRUCK UNLOADER	7'300 x2	16'000 x2
TANK ASSEMBLY FULL	1'054'602 x2	2'325'000 x2
SHIPPING	TRUCK LOADS	
HOPPER	6	
TANK PANELS	2	
ELEVATOR	2	
TRUCK UNLOADER	2	
CONEYOR SPEEDS	TPH	TPH (US)
	TRUCK UNLOADER	330
ELEVATOR	330	364
DISCHARGE CONVEYOR	40-400 x2	44-440 x2



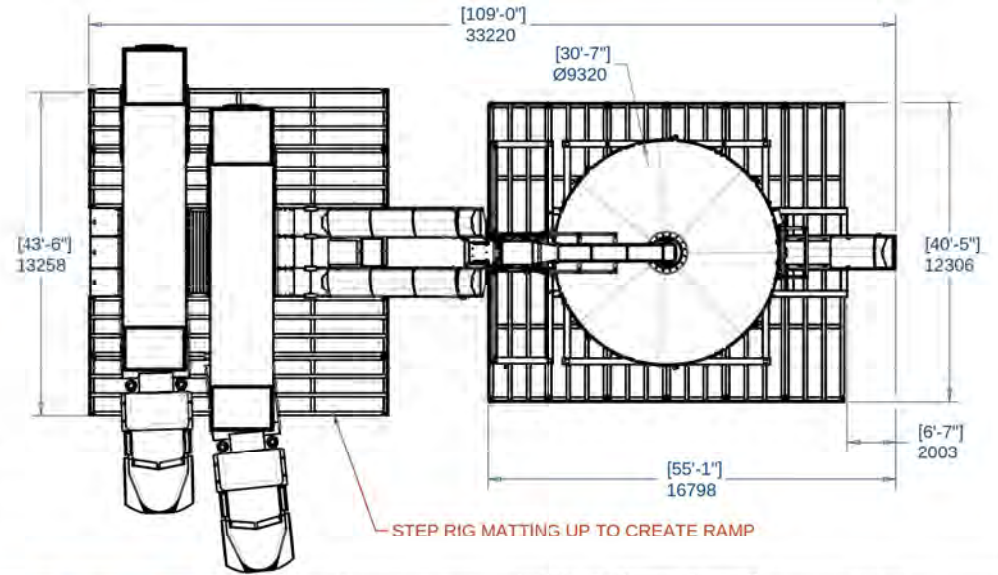
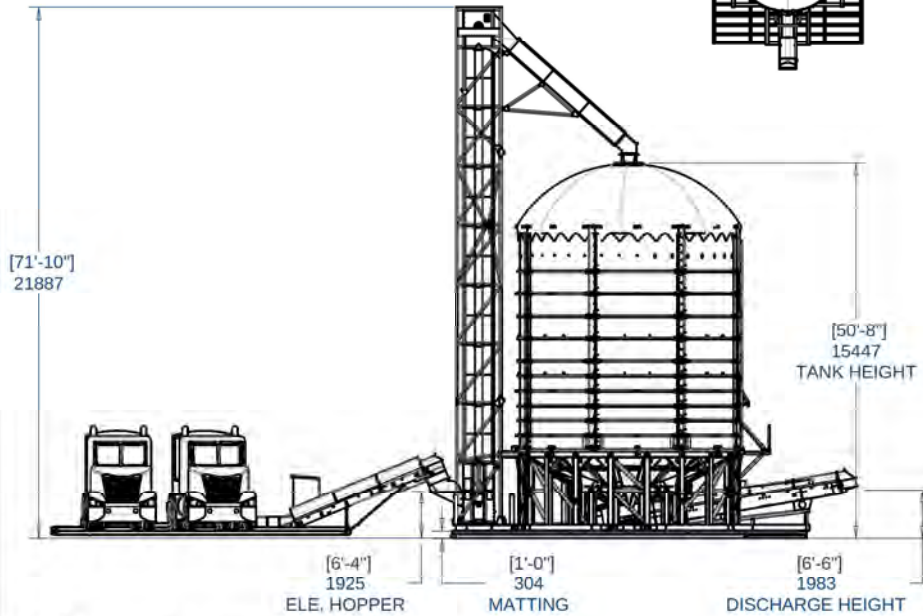
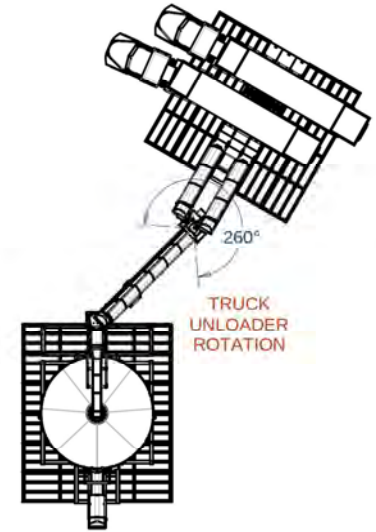
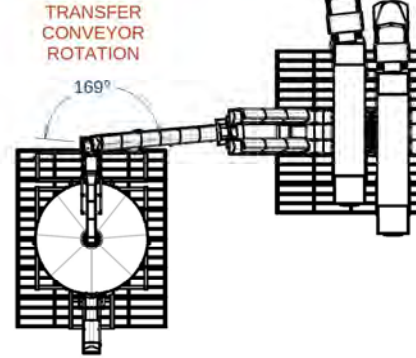
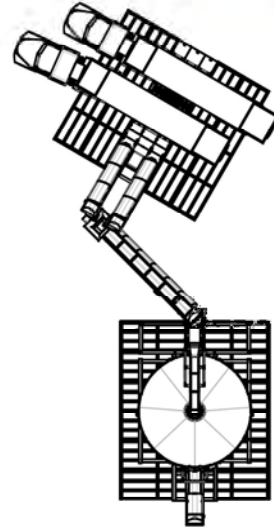
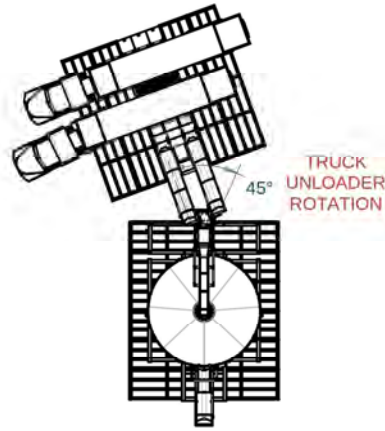
DRAWN BY	SHEA LAYDEN
DATE DRAWN	07/12/2023
LAST CHANGED	07/12/2023



SHEET 1 OF 1	SCALE
--------------	-------

PART NO.	SM-2000-GA
SPECS	

VERY FLEXIBLE AND CONFIGURABLE / SUPER SMALL FOOTPRINT



THE SANDMINION
BY SPEARHEAD SAND INC.

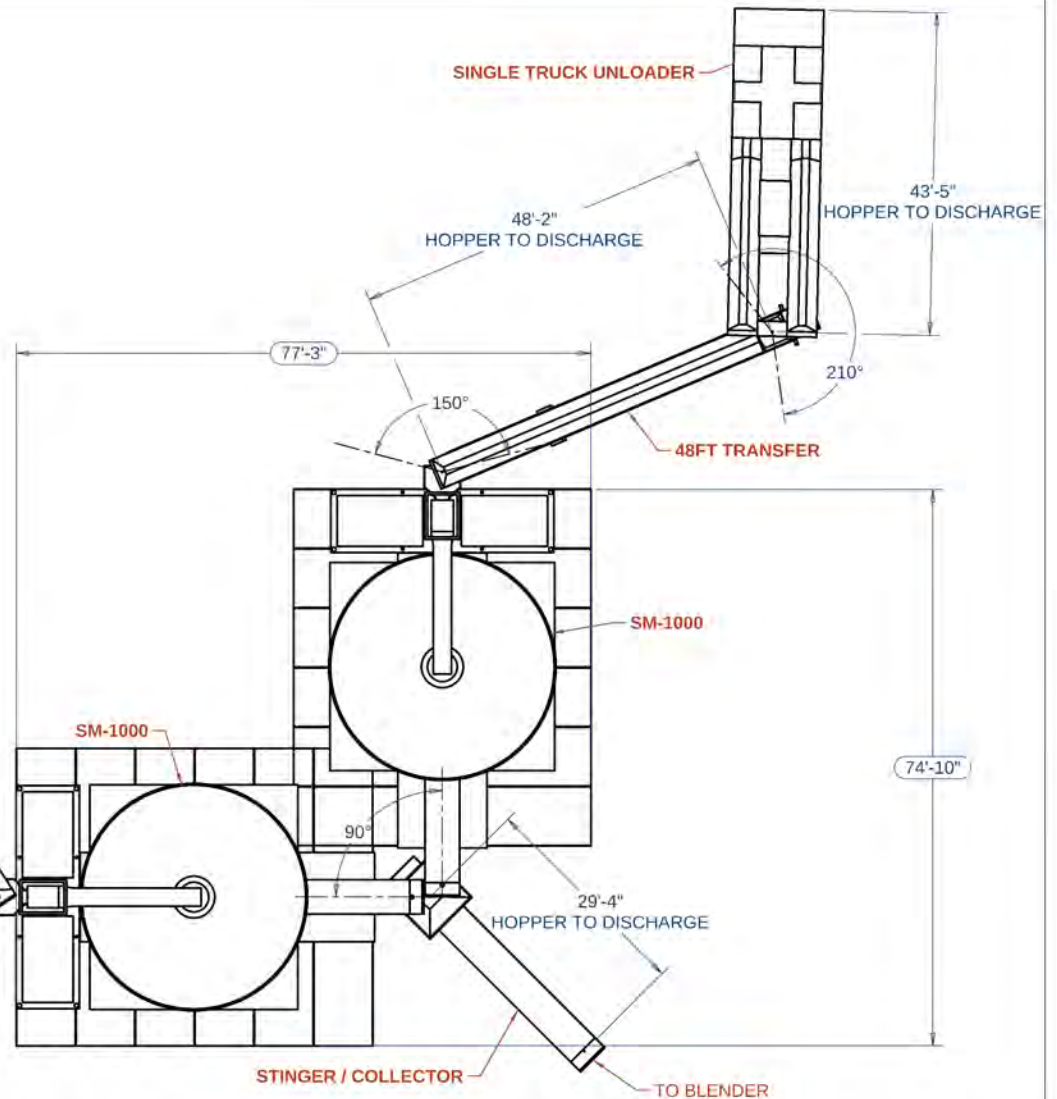
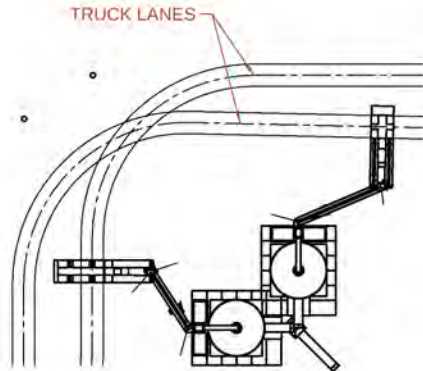
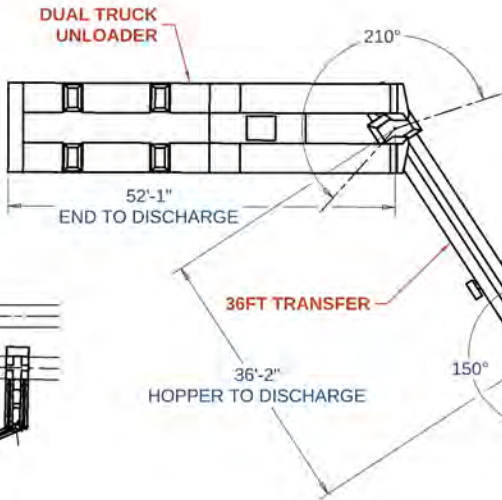
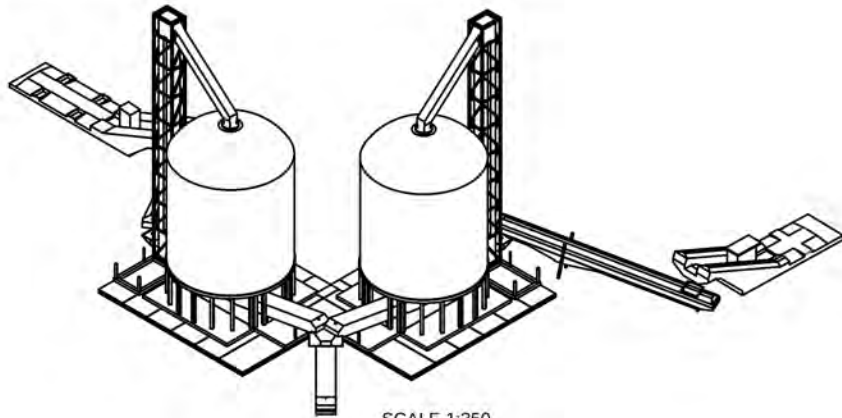


DRAWN BY	SHEA LAYDEN
DATE DRAWN	07/17/2022
LAST CHANGED	10/20/2022



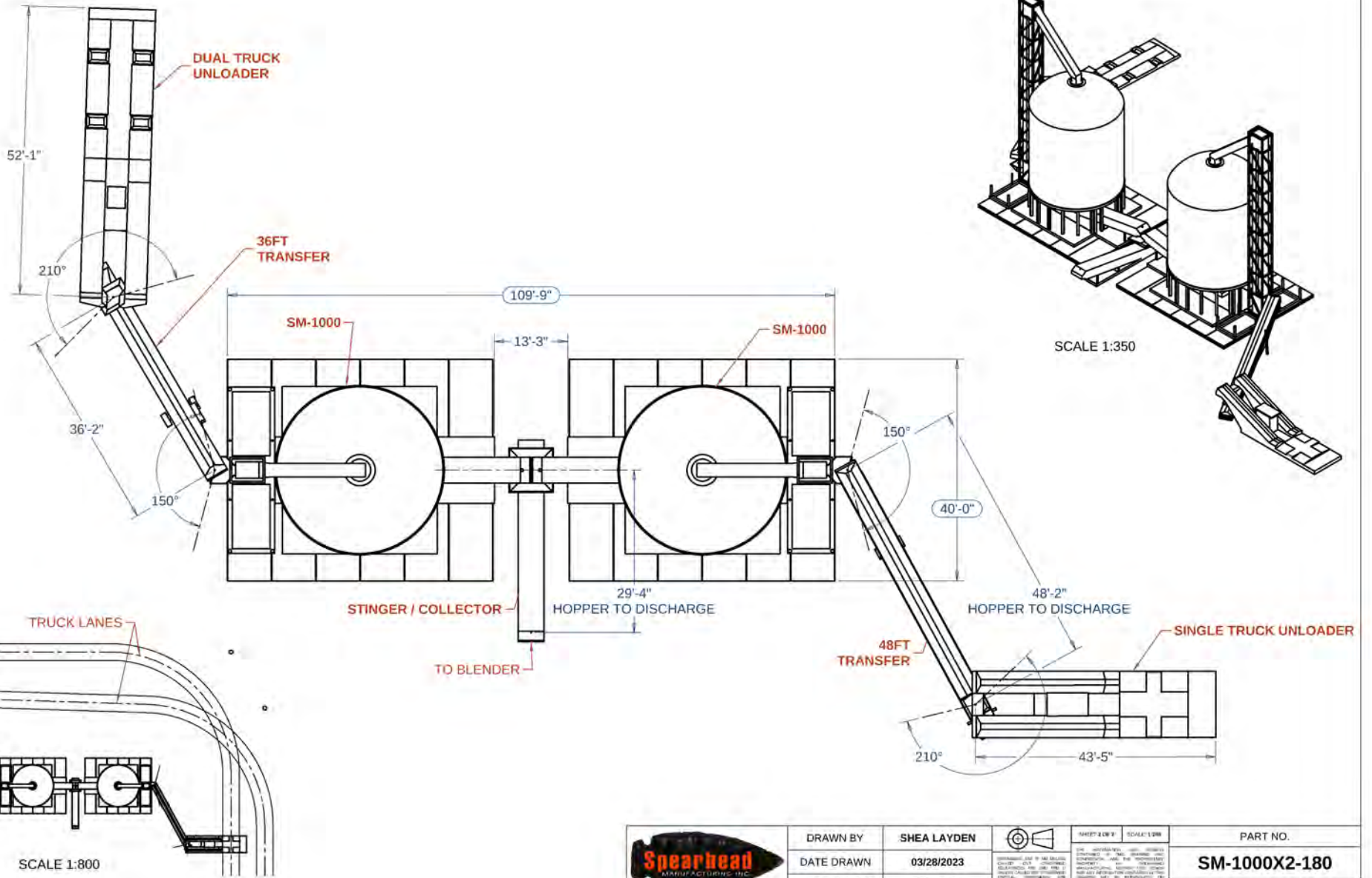
SHEET 3 OF 1	SCALE: 1:200
<small>THE SANDMINION AND SPEARHEAD SAND INC. ARE TRADEMARKS OF SPEARHEAD SAND INC. ALL RIGHTS RESERVED. THE DESIGN AND CONSTRUCTION OF THE SANDMINION IS THE PROPERTY OF SPEARHEAD SAND INC. AND IS NOT TO BE REPRODUCED OR TRANSMITTED IN ANY FORM OR BY ANY MEANS, ELECTRONIC OR MECHANICAL, INCLUDING PHOTOCOPYING, RECORDING, OR BY ANY INFORMATION STORAGE AND RETRIEVAL SYSTEM, WITHOUT THE EXPRESS WRITTEN PERMISSION OF SPEARHEAD SAND INC.</small>	

PART NO.	SM-2000-GA
LAYOUT	



DRAWN BY	SHEA LAYDEN		<small>SHEET 1 OF 2</small>	<small>SCALE 1:800</small>	<small>THIS DRAWING IS THE PROPERTY OF SPEARHEAD MANUFACTURING, INC. IT IS TO BE USED ONLY FOR THE PROJECT AND SITE SPECIFICALLY IDENTIFIED HEREON. ANY REUSE OR MODIFICATION OF THIS DRAWING WITHOUT THE WRITTEN CONSENT OF SPEARHEAD MANUFACTURING, INC. IS STRICTLY PROHIBITED.</small>
DATE DRAWN	03/28/2023				
LAST CHANGED	04/17/2023				

PART NO.	SM-1000X2-90
----------	--------------



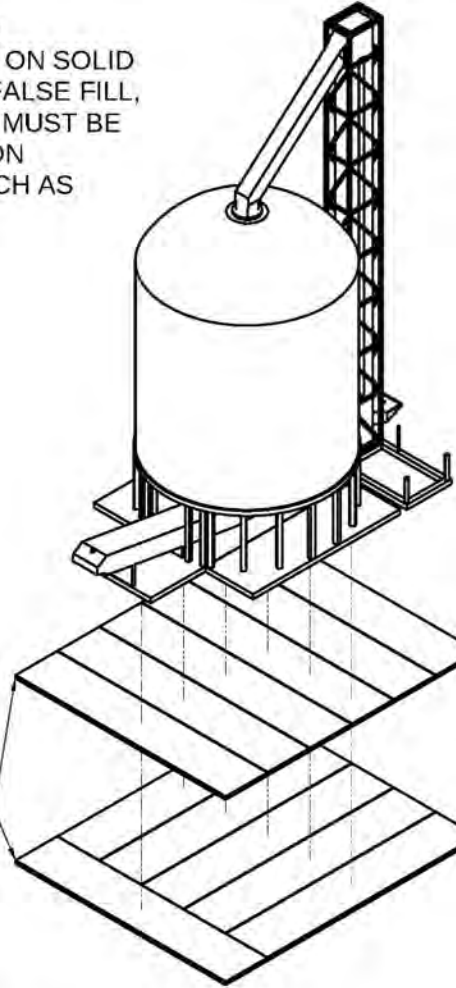
DRAWN BY	SHEA LAYDEN		<small> SHEARHEAD MANUFACTURING, INC. 10000 W. 100TH AVENUE, SUITE 1000, DENVER, CO 80231 © 2023 SHEARHEAD MANUFACTURING, INC. ALL RIGHTS RESERVED. THIS DRAWING IS THE PROPERTY OF SHEARHEAD MANUFACTURING, INC. AND IS NOT TO BE REPRODUCED OR TRANSMITTED IN ANY FORM OR BY ANY MEANS, ELECTRONIC OR MECHANICAL, INCLUDING PHOTOCOPYING, RECORDING, OR BY ANY INFORMATION STORAGE AND RETRIEVAL SYSTEM, WITHOUT THE WRITTEN PERMISSION OF SHEARHEAD MANUFACTURING, INC. </small>
DATE DRAWN	03/28/2023		
LAST CHANGED	04/12/2023		

PART NO.	SM-1000X2-180
----------	---------------

REV	DESCRIPTION
	INITIAL RELEASE

GROUND WORK PREPERATION
 SAND MINION MUST BE SET UP ON SOLID
 LEVEL GROUND, DO NOT USE FALSE FILL,
 ALL MATERIALS TO LEVEL PAD MUST BE
 COMPACTED TO 400KPA OR NON
 CAMPACTABLE MATERIALS SUCH AS
 WASHED ROCK

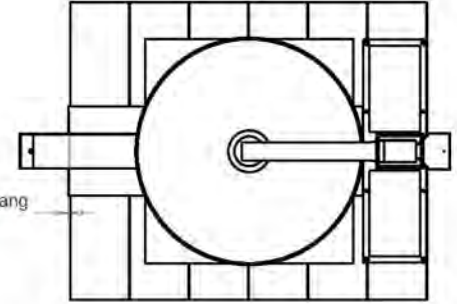
MATTING LAYOUT AND GROUND WORK PREP



MATTING STACKED IN THE
 SAME DIRECTION
 MUST BE INSTALLED UNDER
 DISCHARGE CONVEYOR
 END.

BOTTOM
 LAYER

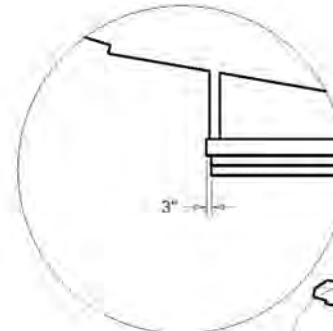
12 - 8' X 40' MATTING REQUIRED
 FOR TANK BASE



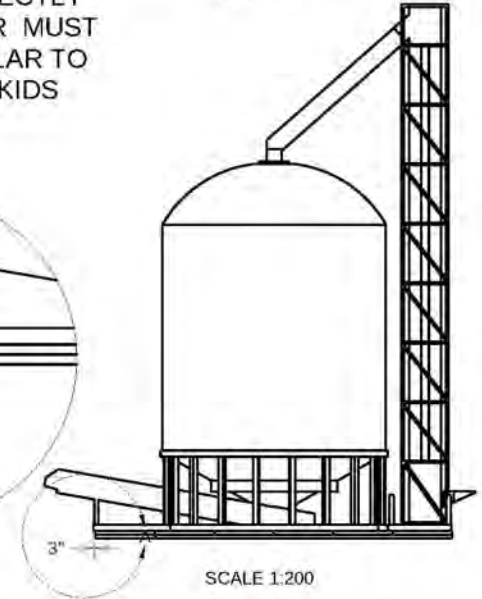
3" Skid must overhang
 rig mats.

SCALE 1:200

TOP LAYER OF MATTING DIRECTLY
 UNDER TANK AND ELEVATOR MUST
 BE INSTALLED PERPENDICULAR TO
 BOTTOM LAYER AND TANK SKIDS



DETAIL A
 SCALE 1:75

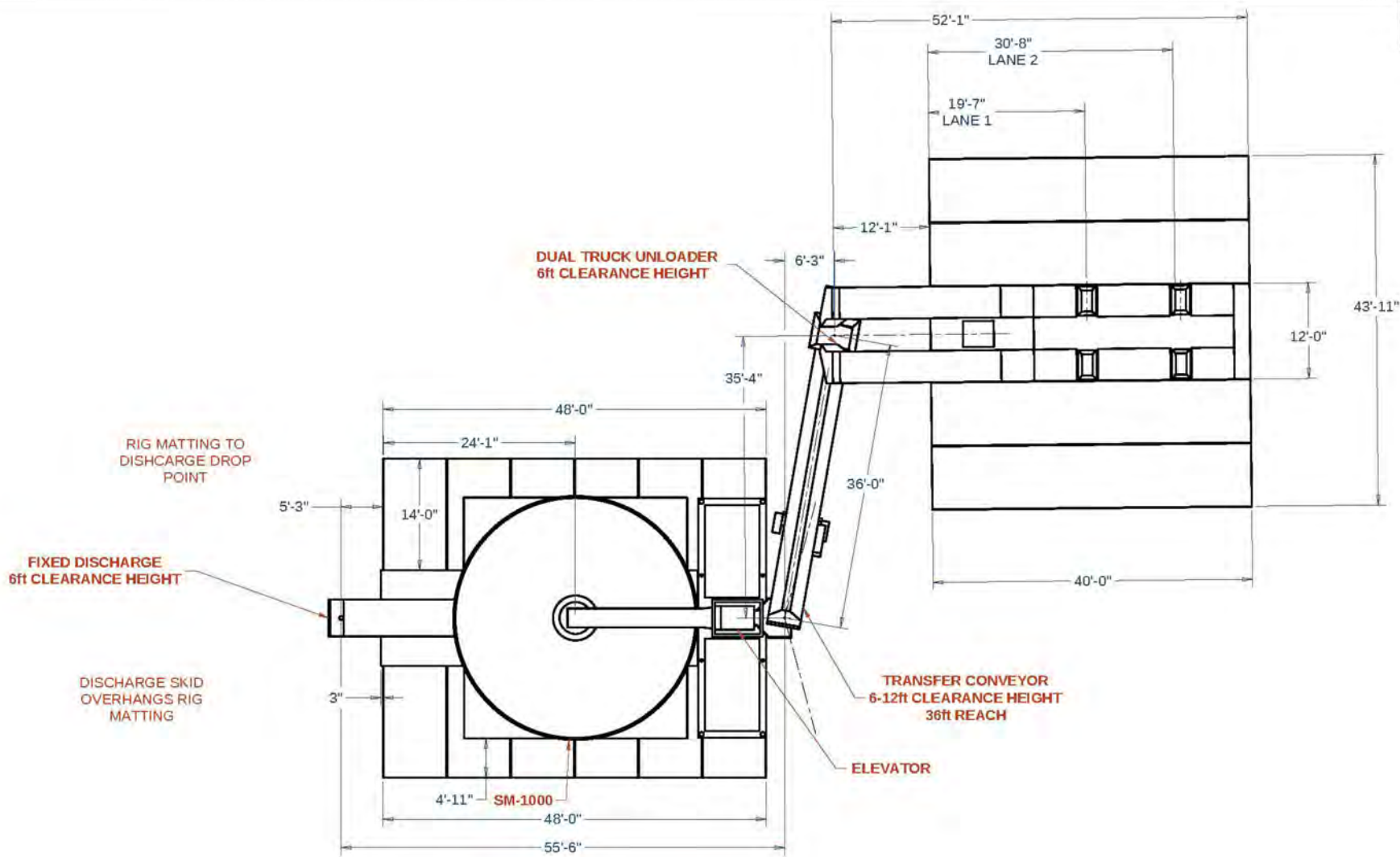


SCALE 1:200



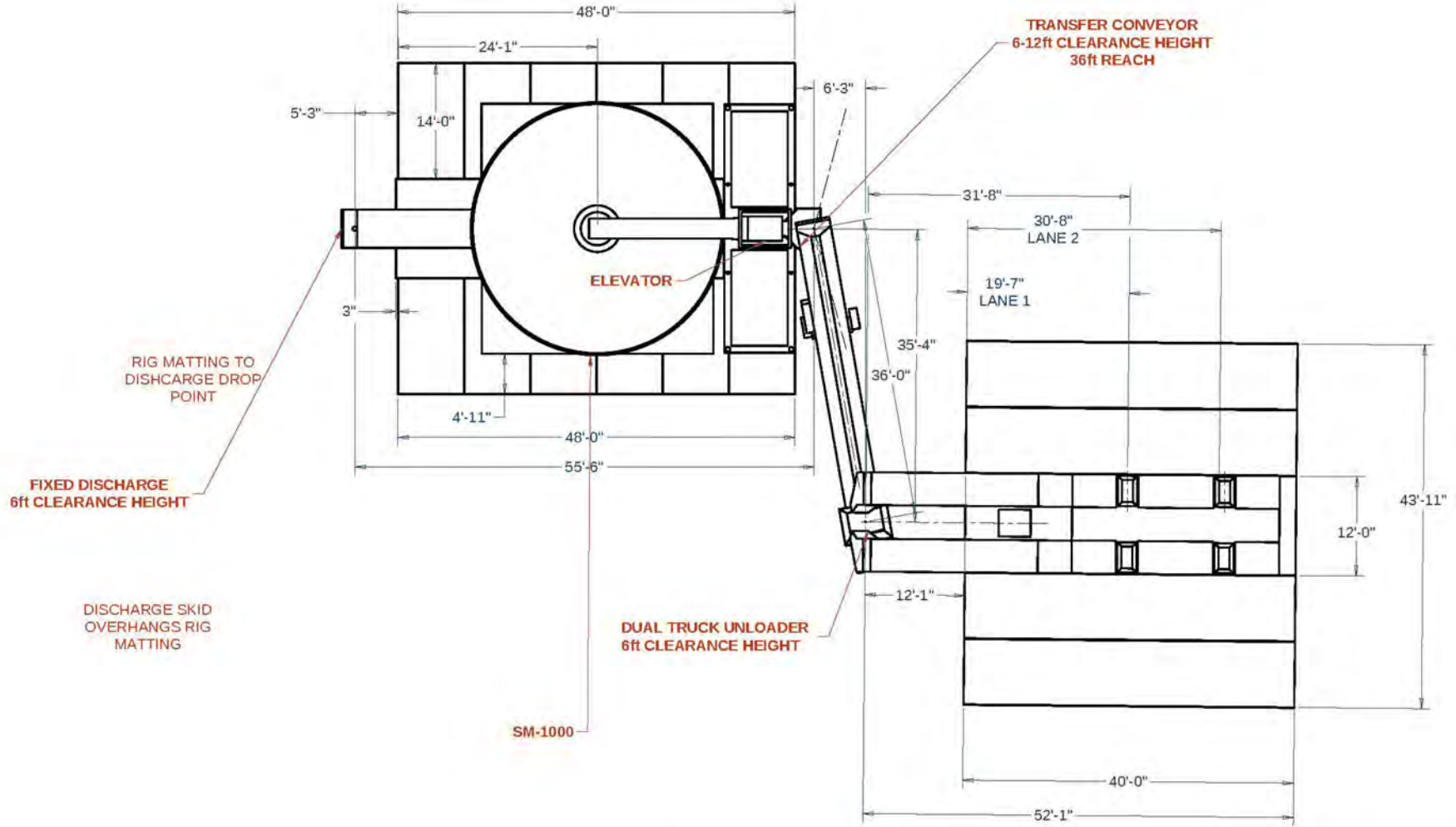
DRAWN BY	SHEA LAYDEN		SHEET 1 OF 3	SCALE 1:100	PART NO.
DATE DRAWN	02/09/2023		<small> THE INFORMATION AND DESIGN CONTAINED HEREIN IS THE PROPERTY OF SPEARHEAD SAND AND IS NOT TO BE REPRODUCED OR TRANSMITTED IN ANY FORM OR BY ANY MEANS, ELECTRONIC OR MECHANICAL, INCLUDING PHOTOCOPYING, RECORDING, OR BY ANY INFORMATION STORAGE AND RETRIEVAL SYSTEM, WITHOUT THE WRITTEN PERMISSION OF SPEARHEAD SAND. </small>		SM-2000-MATTING
LAST CHANGED	02/15/2023				

REV	DESCRIPTION
	INITIAL RELEASE



	DRAWN BY	SHEA LAYDEN		SHEET 1 OF 1	SCALE 1:100	PART NO.
	DATE DRAWN	12/13/2022		<small> DIMENSIONS ARE IN UNITS UNLESS OTHERWISE NOTED. DIMENSIONS TO SURFACE UNLESS OTHERWISE NOTED. DIMENSIONS TO CENTER UNLESS OTHERWISE NOTED. DIMENSIONS TO FACE UNLESS OTHERWISE NOTED. </small>	<small> THE INFORMATION AND DESIGN CONTAINED IN THIS DRAWING AND SPECIFICATIONS ARE THE PROPERTY OF SPEARHEAD SAND AND SHALL REMAIN THE PROPERTY OF SPEARHEAD SAND UNLESS OTHERWISE SPECIFIED IN WRITING. NO PART OF THIS DRAWING OR SPECIFICATIONS SHALL BE REPRODUCED OR TRANSMITTED IN ANY FORM OR BY ANY MEANS, ELECTRONIC OR MECHANICAL, INCLUDING PHOTOCOPYING, RECORDING, OR BY ANY INFORMATION STORAGE AND RETRIEVAL SYSTEM, WITHOUT THE WRITTEN PERMISSION OF SPEARHEAD SAND. </small>	TU-TC36-SM2K
	LAST CHANGED	03/03/2023				SM-2000-LAYOUT-C

REV	DESCRIPTION
	INITIAL RELEASE



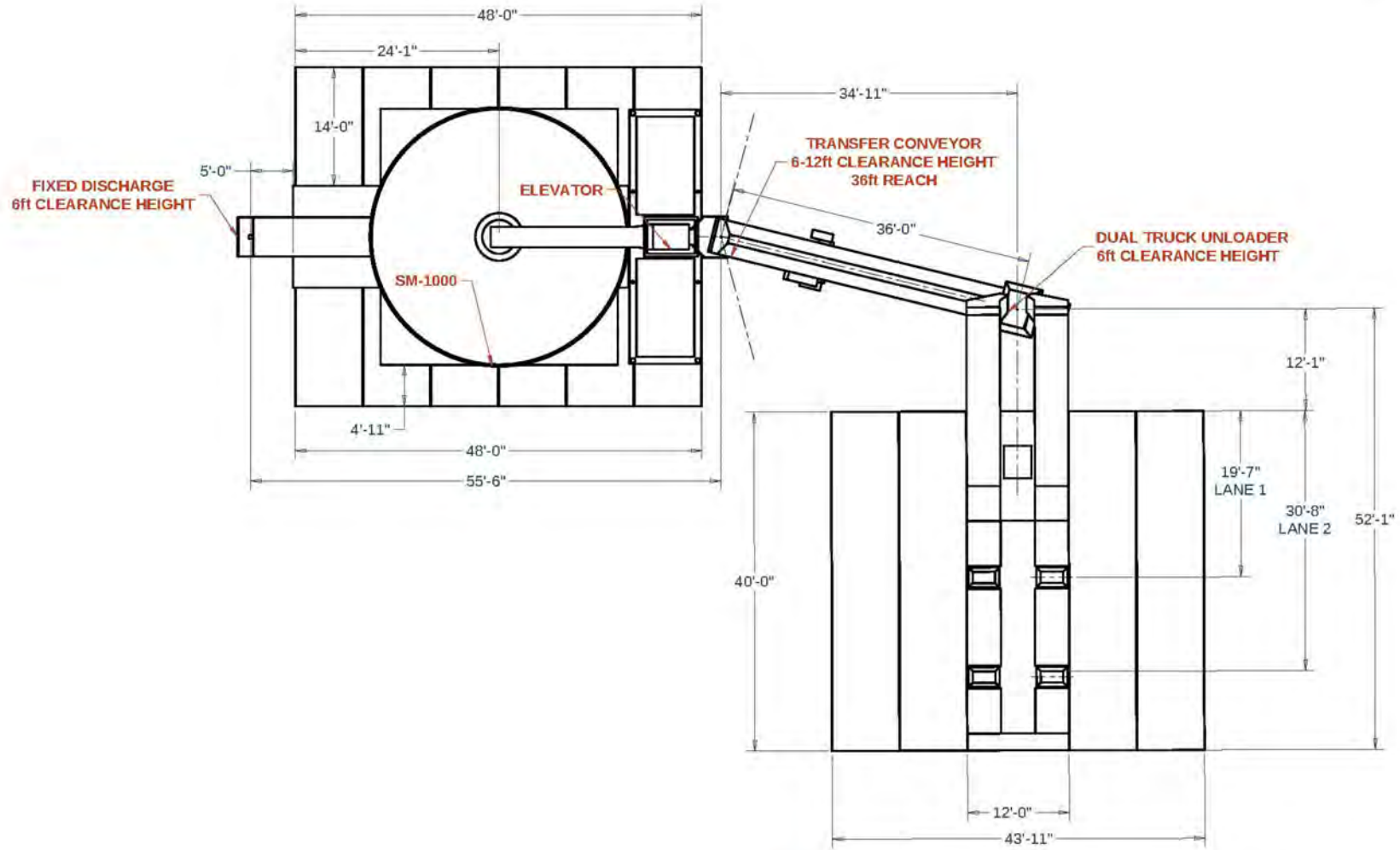
DRAWN BY	MONTE H
DATE DRAWN	02/15/2023
LAST CHANGED	03/03/2023



SHEET 1 OF 1	SCALE 1:150
--------------	-------------

PART NO.	TU-TC36-SM2K
	SM-2000-LAYOUT-C

REV	DESCRIPTION
	INITIAL RELEASE



DRAWN BY	MONTE H
DATE DRAWN	02/15/2023
LAST CHANGED	02/15/2023



SHEET 00FL	SCALE 1:50
------------	------------

PART NO.	TU-TC36-SM2K
	SM-2000-LAYOUT-C

THE INFORMATION ON THIS SHEET IS THE PROPERTY OF SPEARHEAD SAND. IT IS TO BE USED ONLY FOR THE PROJECT AND SITE SPECIFICALLY IDENTIFIED HEREON. NO PART OF THIS SHEET IS TO BE REPRODUCED OR TRANSMITTED IN ANY FORM OR BY ANY MEANS, ELECTRONIC OR MECHANICAL, WITHOUT THE WRITTEN PERMISSION OF SPEARHEAD SAND.